



**SILENT TRAC**  
by **CURRENT**

---

Product Guide



## Silent Trac Features



### ULTRA QUIET MOTOR OPERATION

Silent Trac operates at the same noise level as a quiet room with no talking.



### "CURTAIN SAVER" OBSTRUCTION SENSING

Silent Trac includes a feature for obstruction detection. For example, if the curtain is held while moving, the motor will stop before any damage occurs to the curtain.



### ONE MOTOR OPTION FOR ANY APPLICATION

Regardless of fabric weight or track length, one primary and one secondary motor option simplifies the selection process.



### CONTROL GROUPS OF DRAPERY

Grouping is available in applications where the Sensor Box is installed. In a group, moving one curtain manually, by pendant activation, or by using Smart Assist will send each curtain in the group to that position.



### DUAL TRACKS ONLY REQUIRE A SINGLE CONTROL BOARD AND POWER SUPPLY

In dual applications, only one control board is needed. When a Sensor Box is installed, only secondary motors are needed. When a Sensor Box is not present, the primary motor is installed on the window side track and the secondary motor is installed on the room side track. Only one power supply is needed in dual applications.



### INTEGRATED, BRACKETLESS FASCIA SYSTEM

Most other fascia systems require additional brackets for mounting, but the Silent Trac fascia system is integrated into the track using clips that snap into the top groove of the track. Aluminum and fabric covered fascia are available in multiple sizes and return shapes.



### VARIETY OF CONTROL AND POWER OPTIONS

Control methods include manual control, pendant control, Smart Assist, handheld remote control, Current Touch (capacitive touch) remote control, and light and temperature sensor control (with Sensor Box). With Zigbee tracks, there is also phone app control, voice control, and third party integration. Power options include Alkaline, Lithium Ion, Low Voltage Wall Plug, and Hardwire. Power supplies are housed in the Pendant, and are interchangeable.



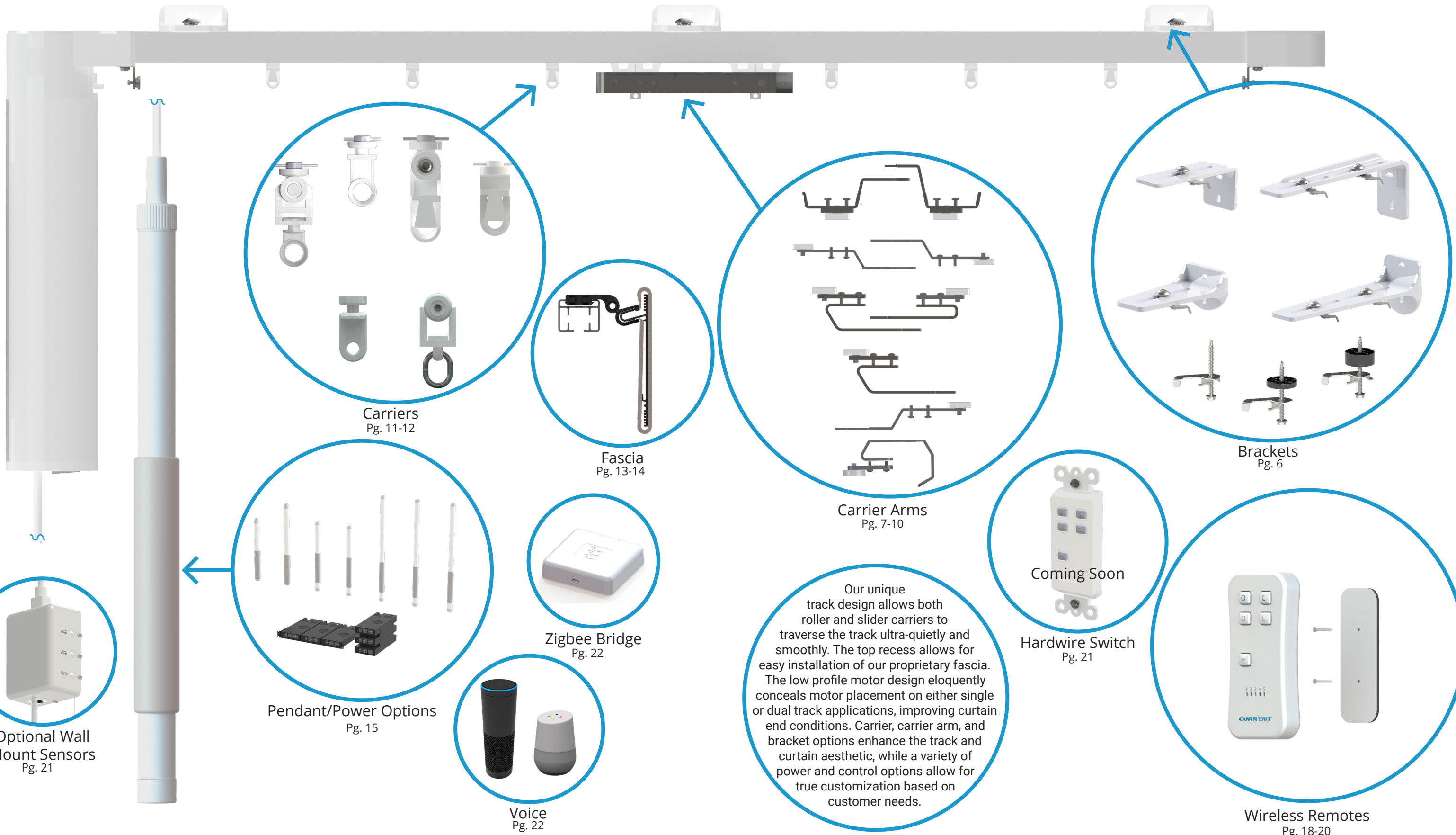
### GROUNDBREAKING CARRIER DESIGN

Innovative design improvements to a standard drapery track set the Silent Trac apart. Design improvements include Pin Ripple Carriers, Continuous Ripple Ripplefold Carrier Arms, and Slim Pinch Pleat Carrier Arms.

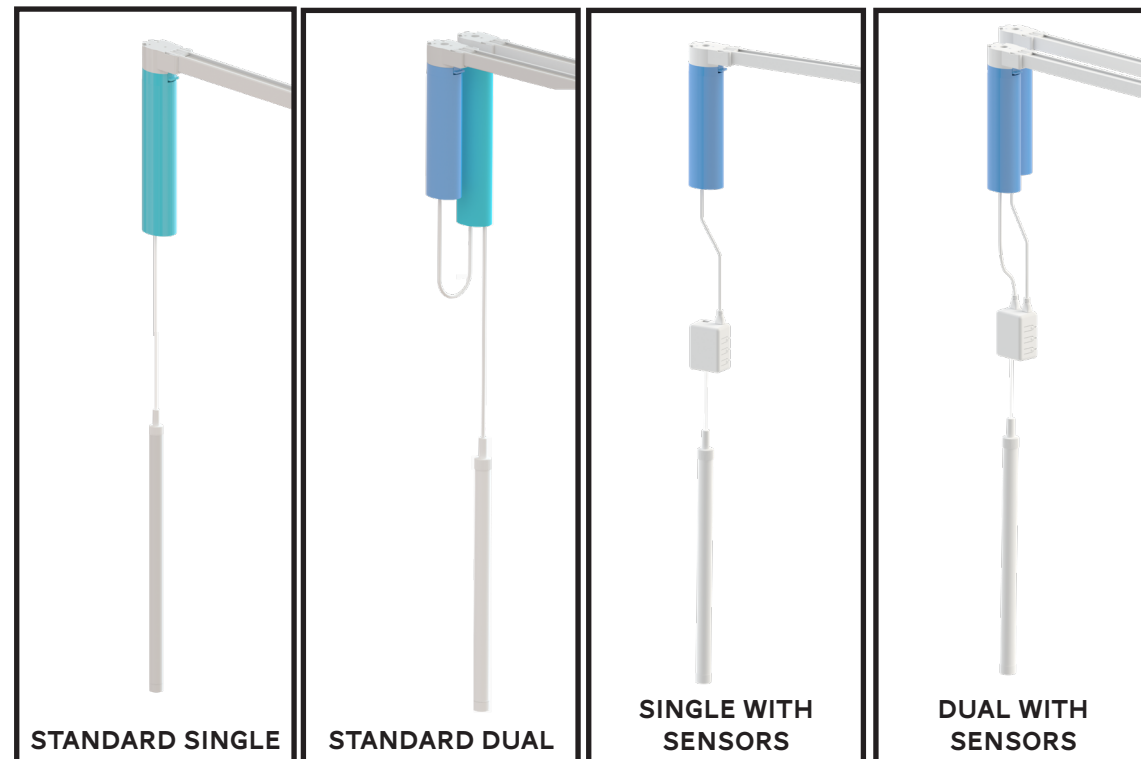
## TABLE OF CONTENTS

TRACK FEATURES	3
TRACK OVERVIEW	4-5
TRACK APPLICATION	6
TRACK ASSEMBLY	6
TRACK BRACKETS	7
CARRIER ARMS	8-11
CARRIERS	12-13
FASCIA OPTIONS	14-15
RECESSED POCKET EXTRUSION	16
POWER	17
OPERATION OPTIONS	18-25
BRACKETS & FASCIA REFERENCE GUIDE	26-35
CARRIER COUNTS & STACKBACK REFERENCE GUIDE	36-41
BRACKET COUNTS REFERENCE GUIDE	42

# Track Overview

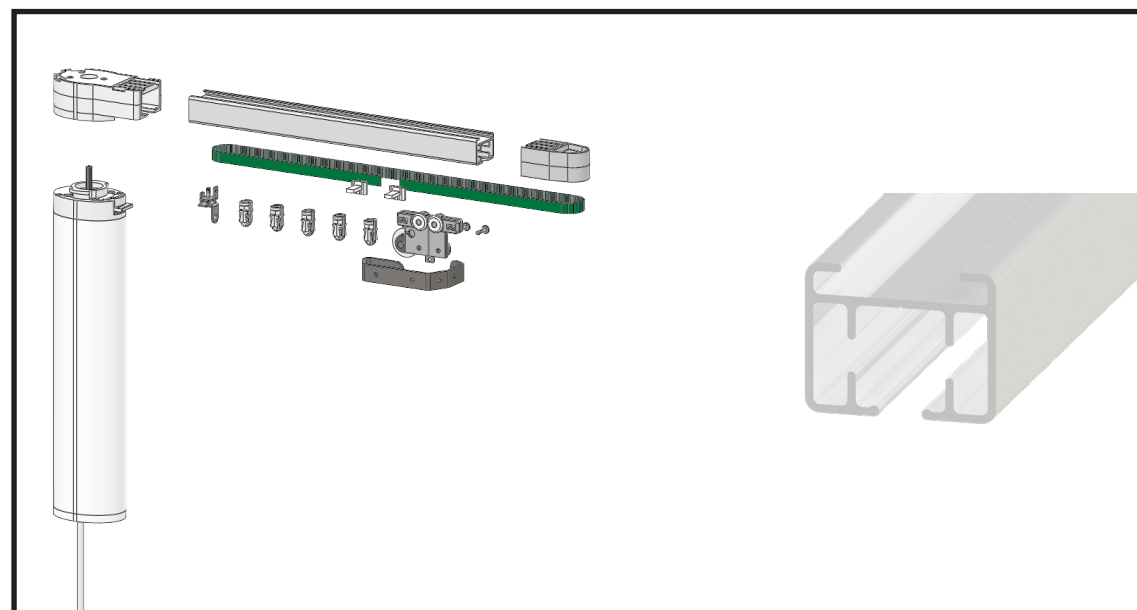


## Track Application



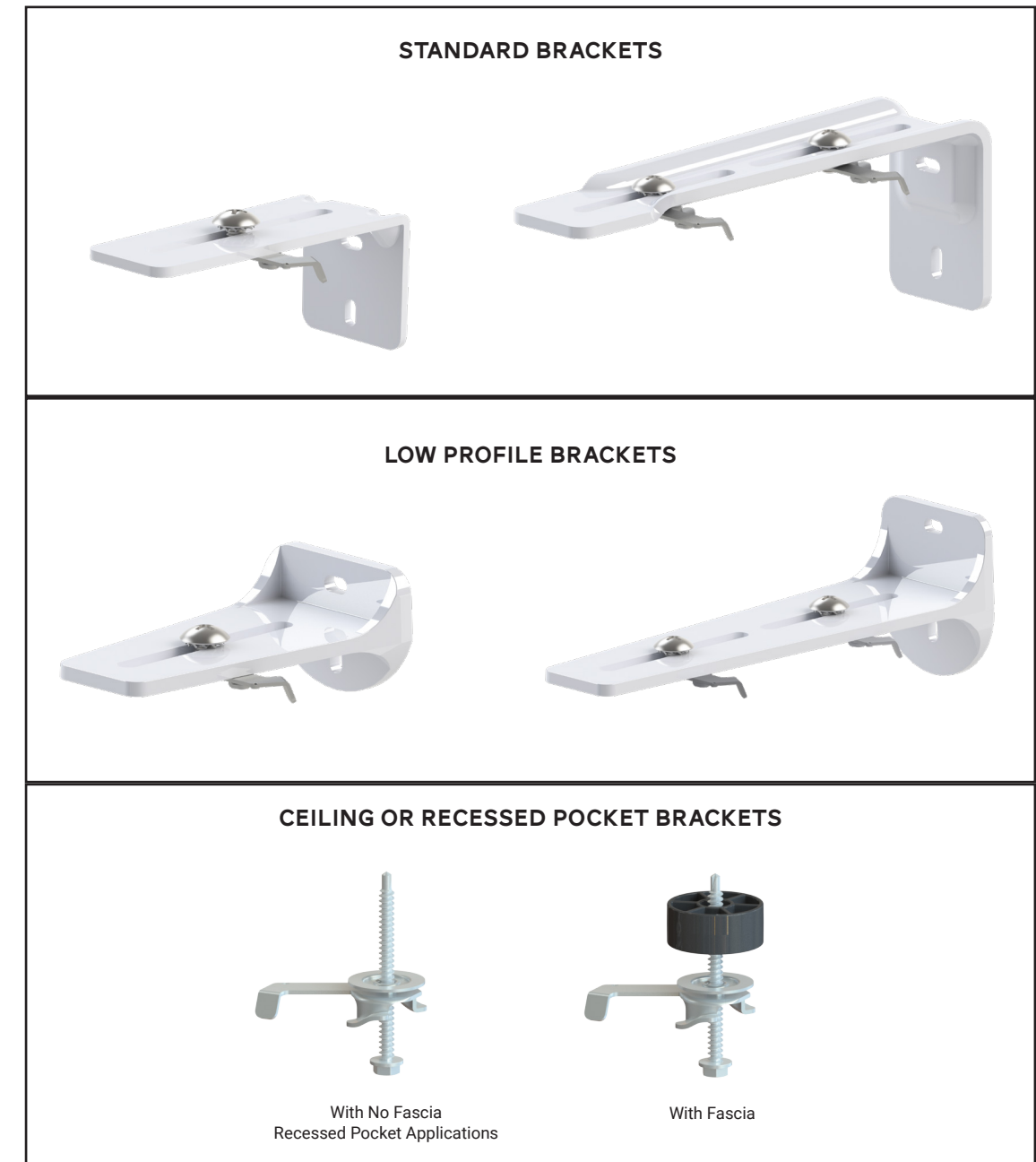
Standard single tracks with no sensor box use one primary motor. Standard dual applications use one primary and one secondary motor with one control board. Single and dual applications with the sensor box use only secondary motors, with the control board housed in the sensor box. Patent pending technology allows both tracks in a dual application to share a single control board and single power supply.

## Track Assembly



The Silent Trac ships as an assembled unit, customized per application needs. Components may be ordered in bulk for large workrooms.

## Track Brackets



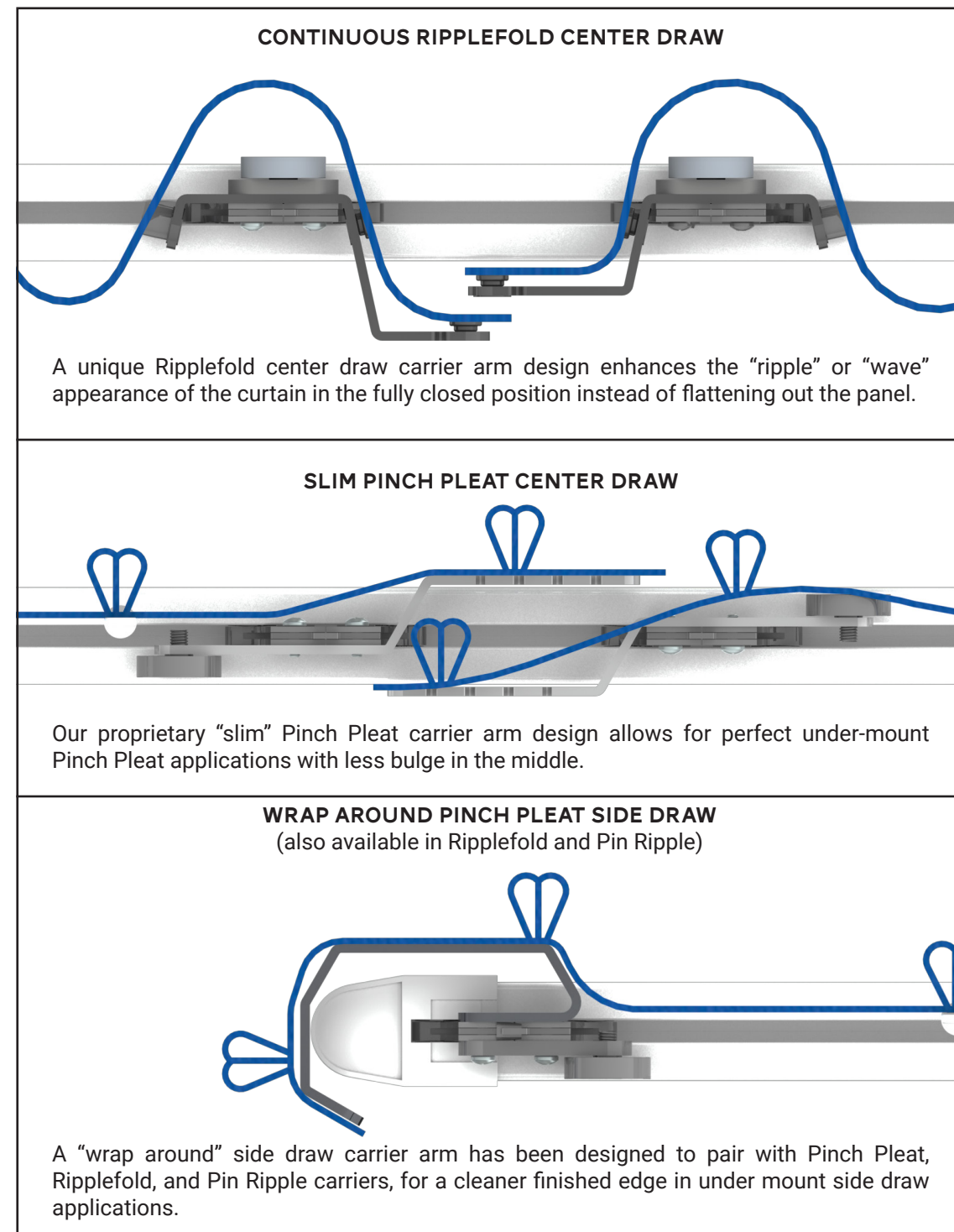
Track brackets are available for wall mounted applications and ceiling mount/recessed pocket applications.

Single or dual brackets are available in both standard and low profile options. The low profile bracket provides a more aesthetically pleasing option, with no sacrifice in strength.

## Carrier Arms

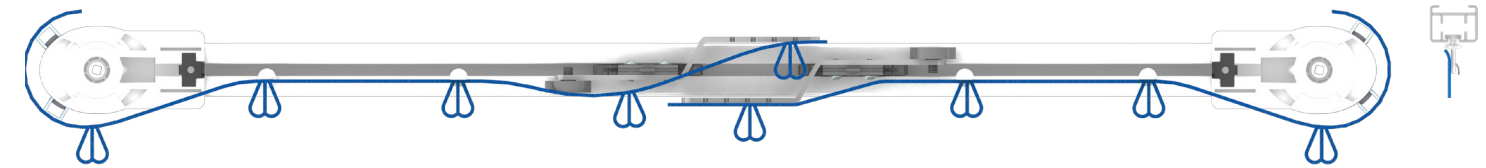
Available carrier arms are designed for Pinch Pleat, Ripplefold, and Pin Ripple applications, in center and side draw. Pin Ripple carriers are new, patent pending carriers aimed to achieve a Ripplefold drapery look via simpler fabrication at a lower cost.

Each carrier arm is available in configurations without a baton, with a front baton, or with a back baton.

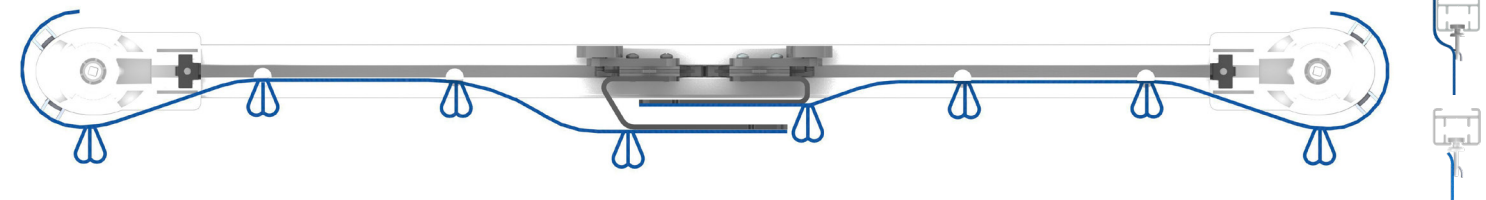


## PINCH PLEAT ARMS AND APPLICATIONS

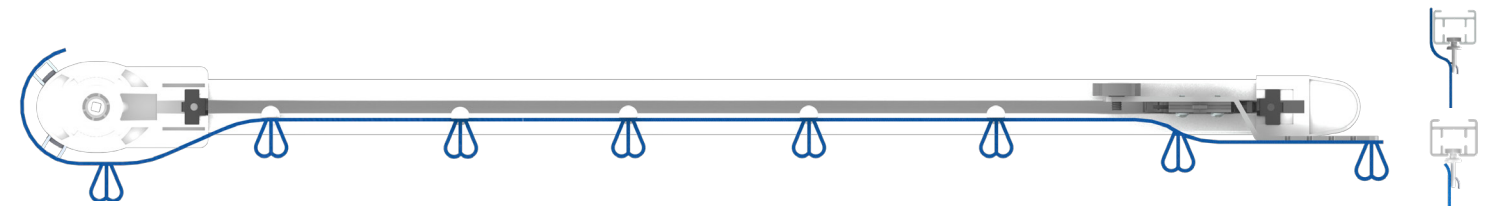
Slim Pinch Pleat Center Draw



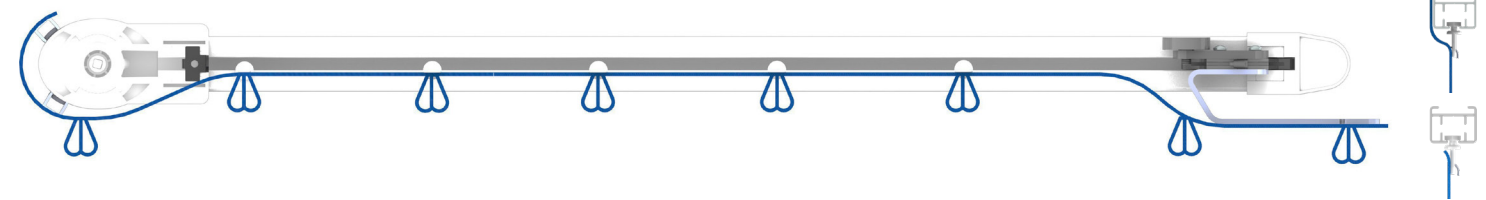
Traditional Pinch Pleat Center Draw



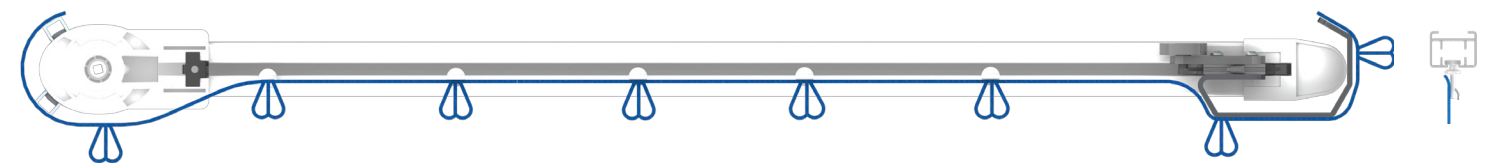
Slim Pinch Pleat Side Draw



Traditional Pinch Pleat Side Draw

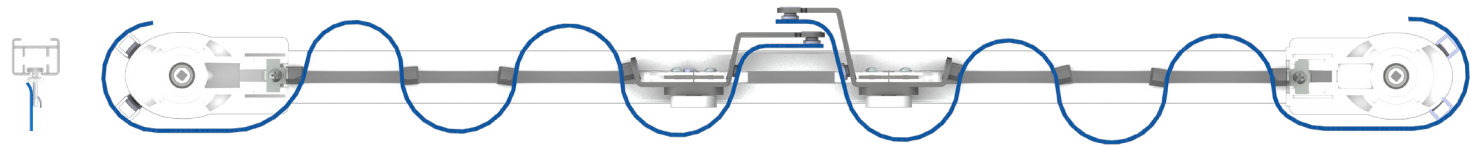


Wrap Around Pinch Pleat Side Draw

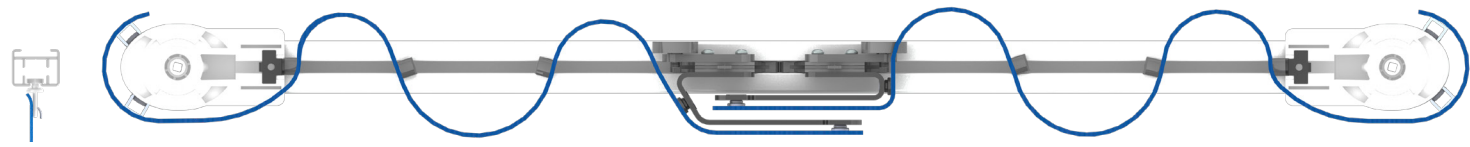


**RIPPLEFOLD ARMS AND APPLICATIONS**

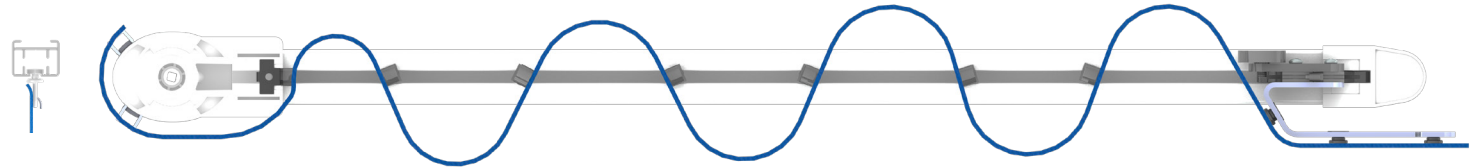
Continuous Ripplefold Center Draw



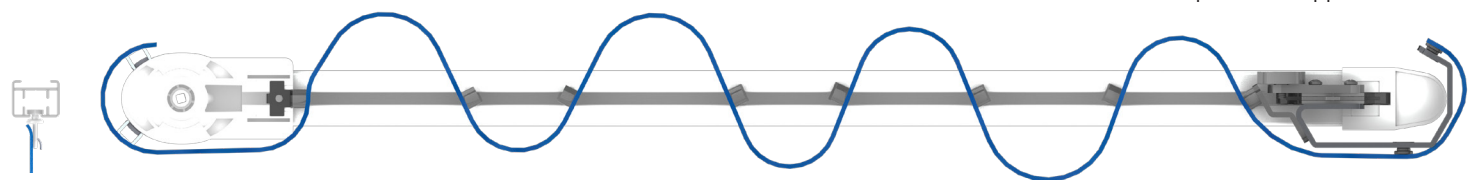
Traditional Ripplefold Center Draw



Traditional Ripplefold Side Draw

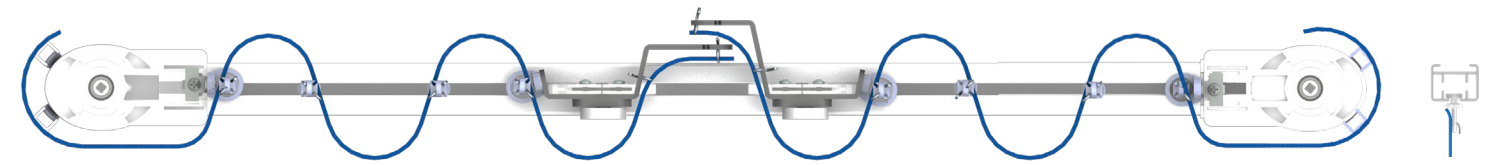


Wrap Around Ripplefold Side Draw

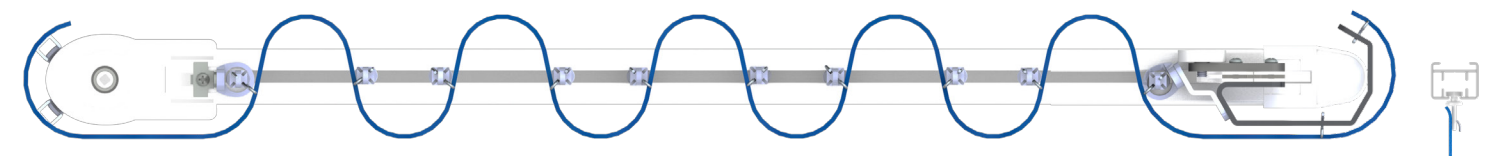


**PIN RIPPLE ARMS AND APPLICATIONS**

Continuous Pin Ripple Center Draw

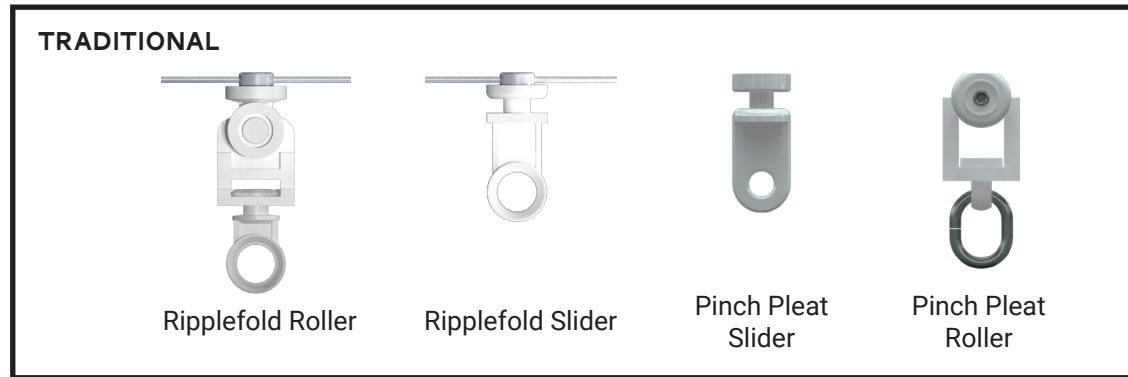


Wrap Around Pin Ripple Side Draw

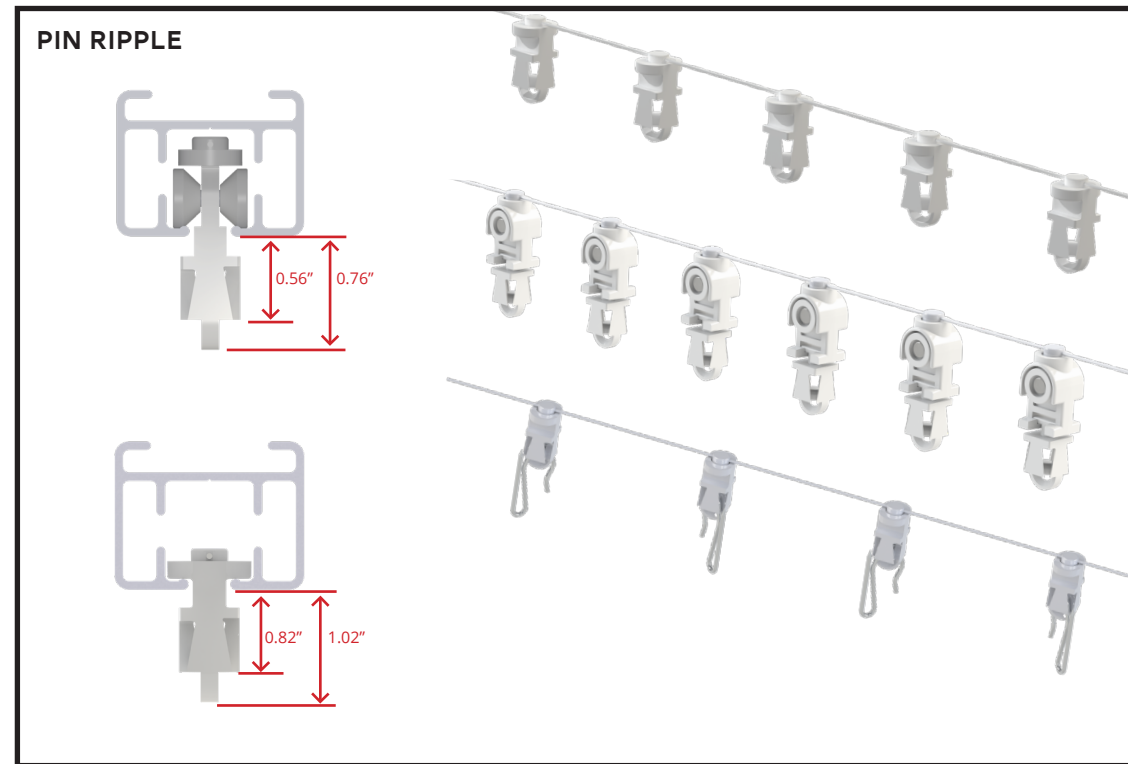


Carrier arms compatible with Pin Ripple carriers look like Ripplefold carrier arms, but use the proprietary, patent pending Pin Ripple design for easy Ripplefold without the snaps. By eliminating the snap tape, a broader range of spacing can be used on the drapery, allowing for custom ripple looks. This adds flexibility and allows the installer to tailor the curtain to the track length and minimize stack back.

# Carriers



Traditional carriers for Pinch Pleat and Ripplefold curtains are available as sliders or rollers. Ripplefold carriers are available with strings in fullnesses of 60%, 80%, 100%, and 120%.



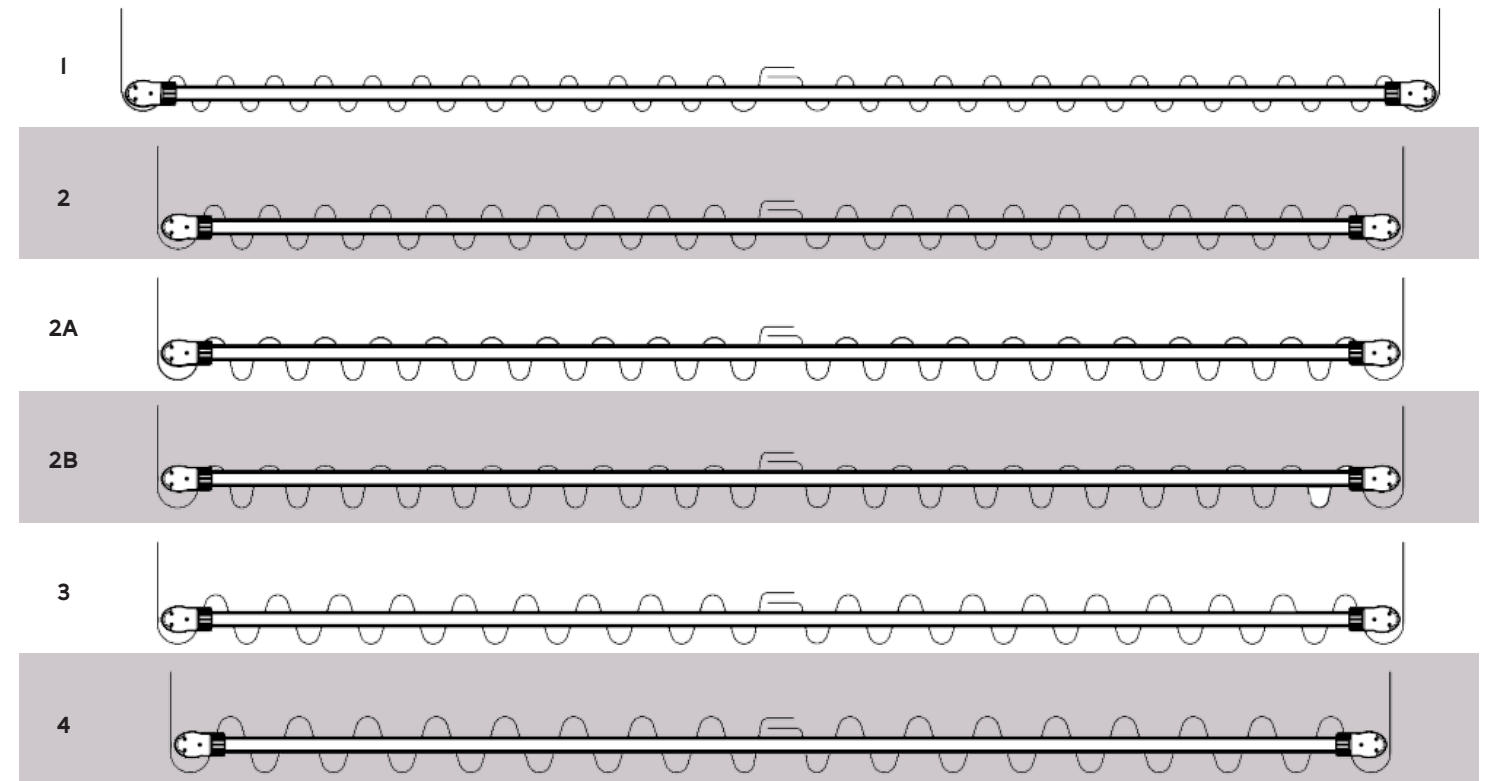
In addition to the traditional carrier options, we offer a proprietary carrier designed to create a Ripplefold appearance with a pinned, off the shelf flat panel drapery. Eliminating the need for snap tape and buckram, Pin Ripple carriers come in sliders or rollers, and are connected in standard distances of 2.625" (60%), 2.375" (80%), 2.125" (100%), and 1.875"w (120%). Common and odd panel widths can be used to achieve a uniform look throughout the curtain by adjusting pin spacing based on panel width and track length. Slots in the swivel-less Pin Ripple carriers allow pins to be inserted alternately to achieve each wave.

In addition to the ability to have a pinned Ripple design, the bottom feature on the carrier allows for standard Pinch Pleat installation when the carriers are separated from the snap string.

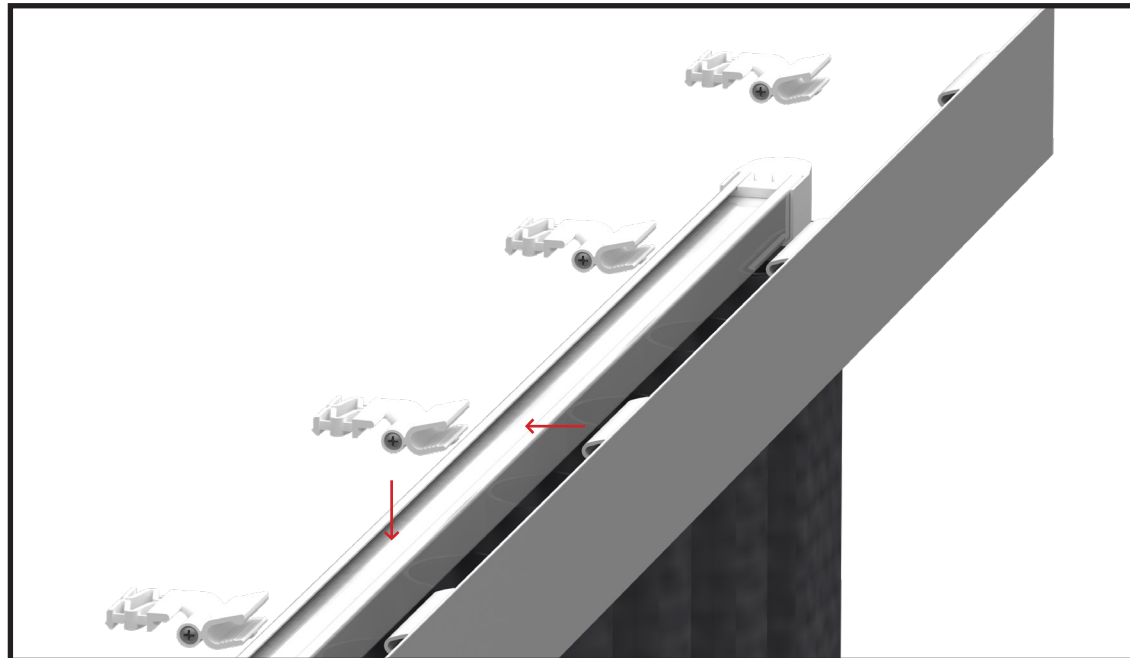
There are many options with Pin Ripple carriers. Pin Ripple carriers allow for uniform and non uniform pin spacing. Traditional Ripplefold limits fullness to 60%, 80%, 100%, and 120% based on string spacing, and keeps a constant 4.25" between snaps sewn into the buckram. By allowing for variable pin spacing, Pin Ripple provides the option for varied fullnesses. This design allows flexibility for workrooms and drapery designers to have alternate ripple depth from the standard, and allows installers the ability to make adjustments in the field.

Illustrated below are six different configurations, all with the Pin Ripple system, to cover a 50" window with a 100" panel.

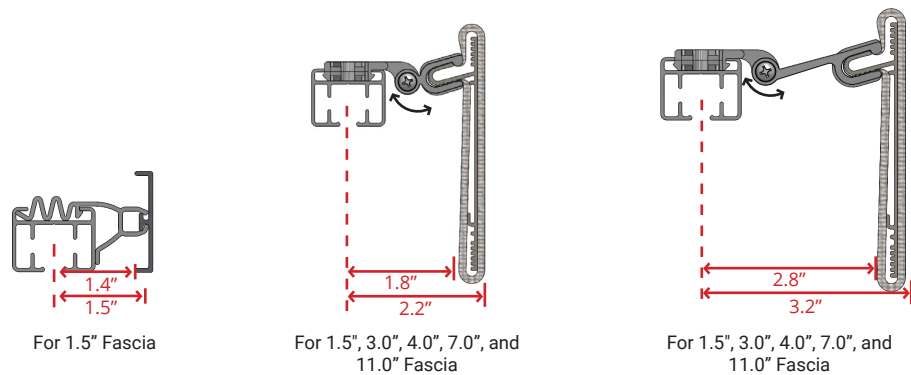
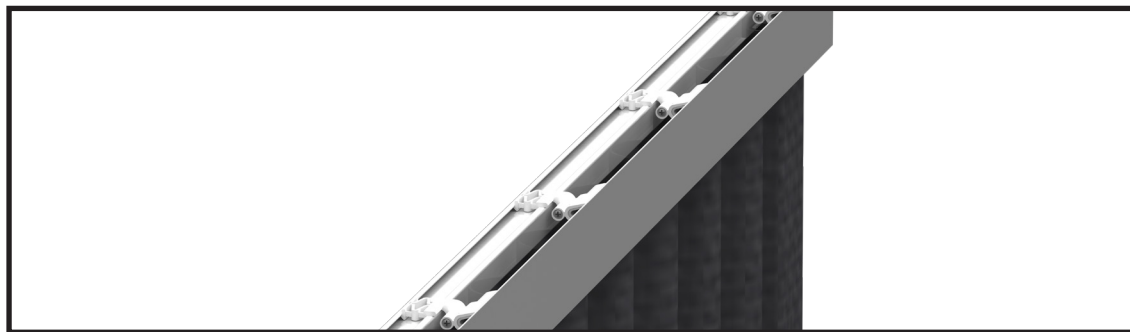
OPTION	TRACK SIZE	PANEL SIZE (2 PER)	STRING SPACING	CARRIERS PER SIDE	PIN SPACING	WINDOW OPENING	FULLNESS
1	100.25"	100"	1.875"	22	3.51"	50"	87%
2	94.75"	100"	2.125"	18	4.25"	50"	100%
2A	94.75"	100"	2.125"	18	5.00" / 3.50"	50"	135%
2B	94.75"	100"	2.125"	18	5.31" / 3.19"	50"	150%
3	94.75"	100"	2.375"	16	4.75"	50"	100%
4	92.75"	100"	2.625"	14	5.38"	50"	105%



# Fascia Options



The Current Products Corp. proprietary, patent pending fascia system uses either fixed or adjustable tilt fascia clips to connect the track to the fascia. Clips snap into the features on the top of the track for a secure connection. This system eliminates the need for additional brackets, and makes for an easier installation than a traditional fascia or valance system.



RETURN STYLES	SIZES	CLIPS	ALUMINUM FINISHES	FABRIC FINISHES
	1.5" Aluminum			
	3.0" Aluminum			
	4.0" Fabric Covered			
	7.0" Fabric Covered			
	11.0" Fabric Covered			

Actual colors may vary slightly from the sample swatches above.

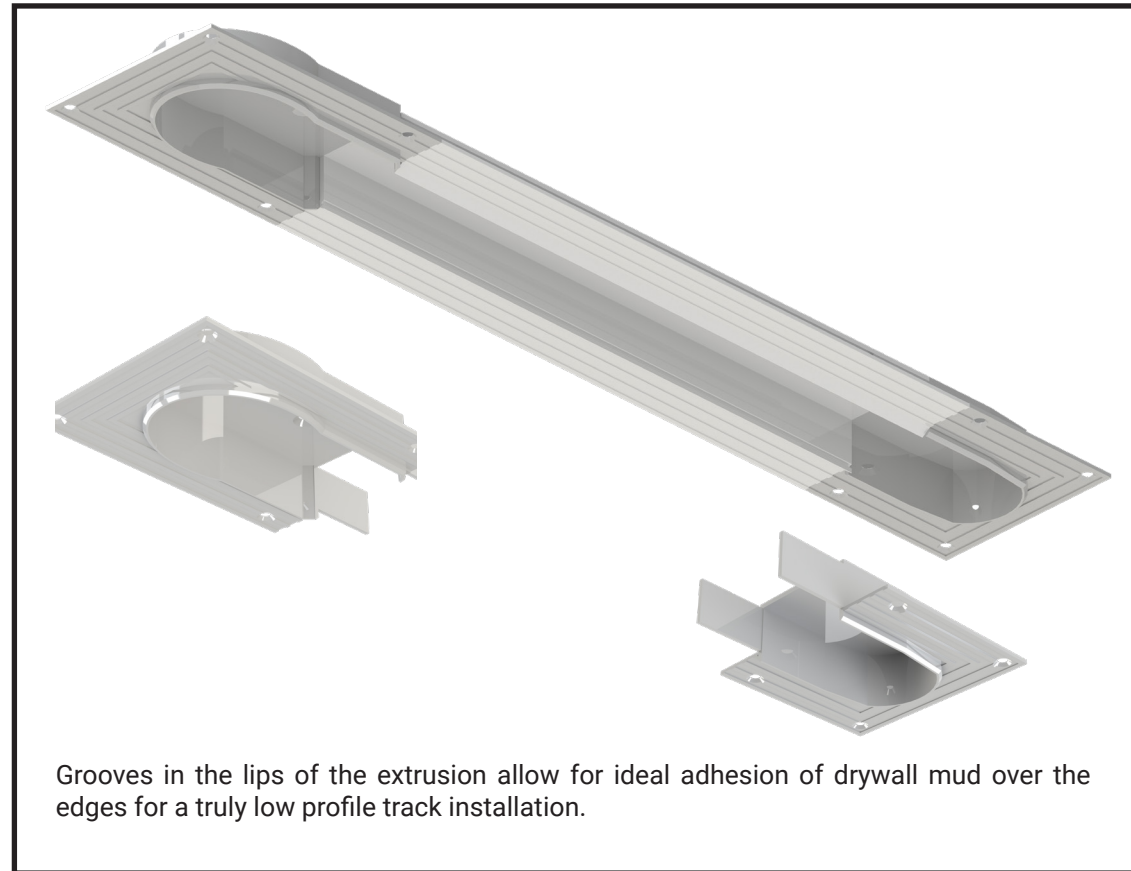
Five different fascia sizes snap onto the Silent Trac using a proprietary fascia clip: 1.5" and 3.0" aluminum extrusions, and 4.0", 7.0", and 11.0" fabric covered plastic extrusions.

On the 4.0", 7.0", and 11.0" fascia, a flexible internal aluminum insert allows returns to be formed in the field.



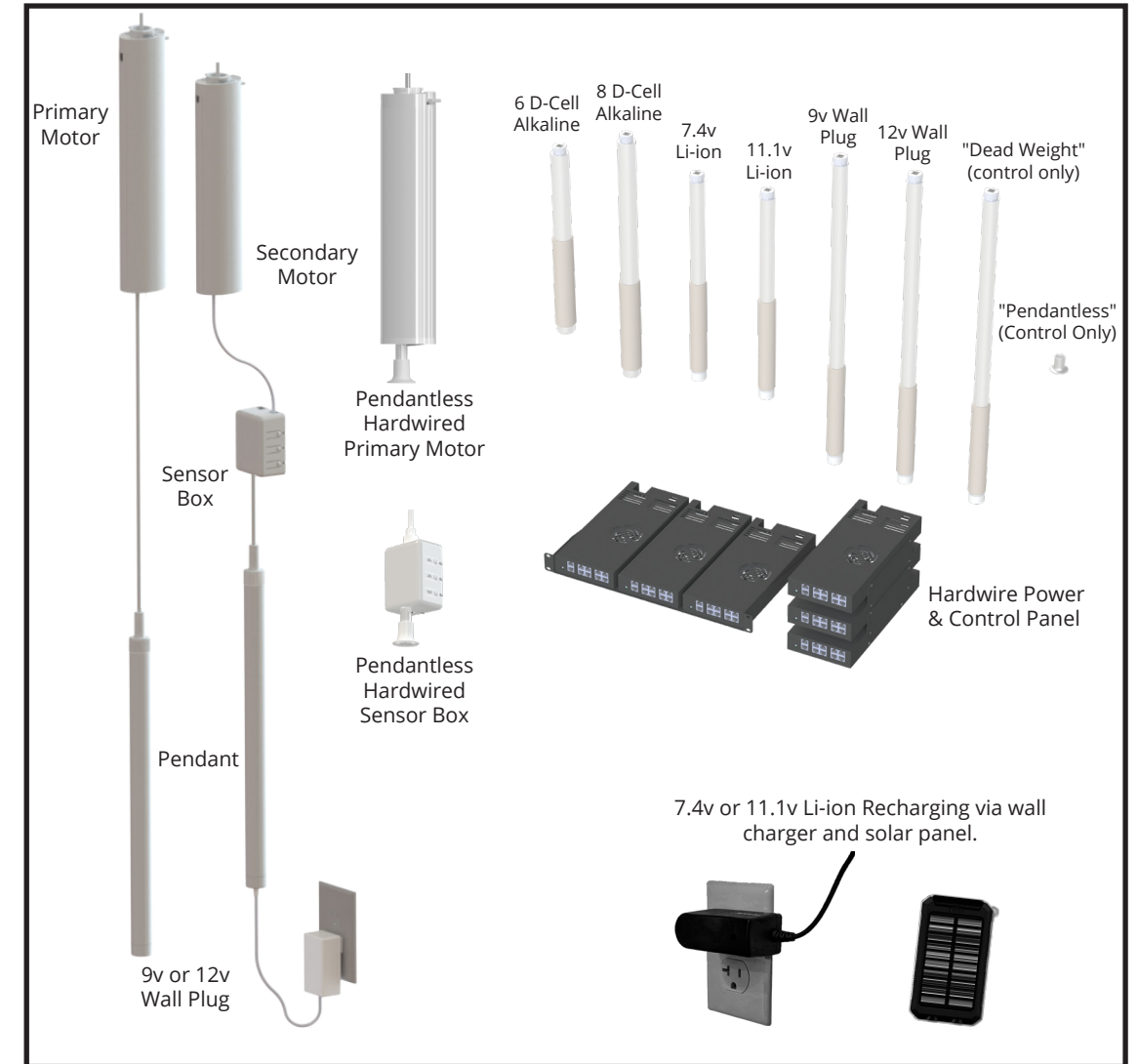
## Recessed Pocket Extrusion

For new construction, an extrusion is available to allow for the installation of the track into a recess in the ceiling. This aluminum extrusion and the paired ends install on the joist-side of the ceiling drywall to mask the track.



Temporary retaining clips allow for a straight forward installation of the track into the ceiling recess extrusion. These clips snap into the extrusion and hold the track in place while installers screw the track to the extrusion through the pre-tapped holes in the track. When specified during ordering as an installation into a recessed pocket extrusion, holes are pre-tapped in the track at 32" intervals.

## Power



In most cases, the Pendant encases the desired power supply and connects directly to a motor or sensor box. Pendants come with a sleeve to enhance the aesthetics and provide a soft grip. In all cases, the Pendant or Pendantless grip and motor are hidden behind the stack back. Power options include:

<b>ALKALINE</b>	6 D Cell Pendant	3 year battery life	
<b>ALKALINE</b>	8 D Cell Pendant	3 year battery life	
<b>RECHARGEABLE</b>	7.4v Li-Ion Pendant	9 months before charge	Solar Panel Available
<b>RECHARGEABLE</b>	11.1v Li-Ion Pendant	9 months before charge	Solar Panel Available
<b>LOW VOLTAGE</b>	9v Wall Plug Pendant	∞	
<b>LOW VOLTAGE</b>	12v Wall Plug Pendant	∞	
<b>HARDWIRED</b>	Dead Weight or Pendantless	∞	Must have P&C Panel for power

Tracks using higher voltage power supplies will have a faster average linear speed than lower voltages. For longer tracks, choosing the higher voltage is recommended.

For hard wired applications, one Power and Control Panel, which encases both power and control functions, services up to eight hardwired Current Products Corp devices.

## Operation Options

The Silent Trac has been thoughtfully designed with various control options to accommodate the needs of the end user. Control methods include:

- PENDANT CONTROL
- SMART ASSIST
- MANUAL CONTROL
- HANDHELD REMOTE CONTROL
- CURRENT TOUCH REMOTE CONTROL
- HARDWIRE WALL SWITCHES
- SENSOR & GROUP CONTROL
- PHONE APP CONTROL
- VOICE CONTROL
- THIRD PARTY INTEGRATION

Silent Trac can be ordered in either a proprietary FM protocol or a Zigbee protocol.

CONTROL	FM	ZIGBEE
MANUAL*	X	X
PENDANT	X	X
SMART ASSIST	X	X
HANDHELD REMOTE	X	X
CURRENT TOUCH REMOTE	X	X
SENSOR & GROUP CONTROL	X	X
PHONE APP CONTROL	-	X
VOICE CONTROL	-	X
THIRD PARTY INTEGRATION	-	X

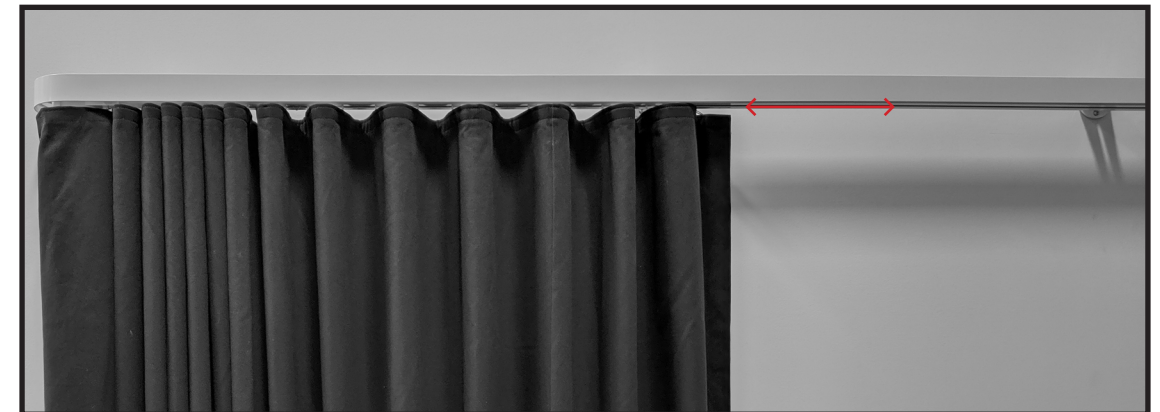
\* Full manual control is available when Smart Assist is disabled. When Smart Assist is enabled, the motor will engage after the curtain is manually moved 12".

### Pendant Control



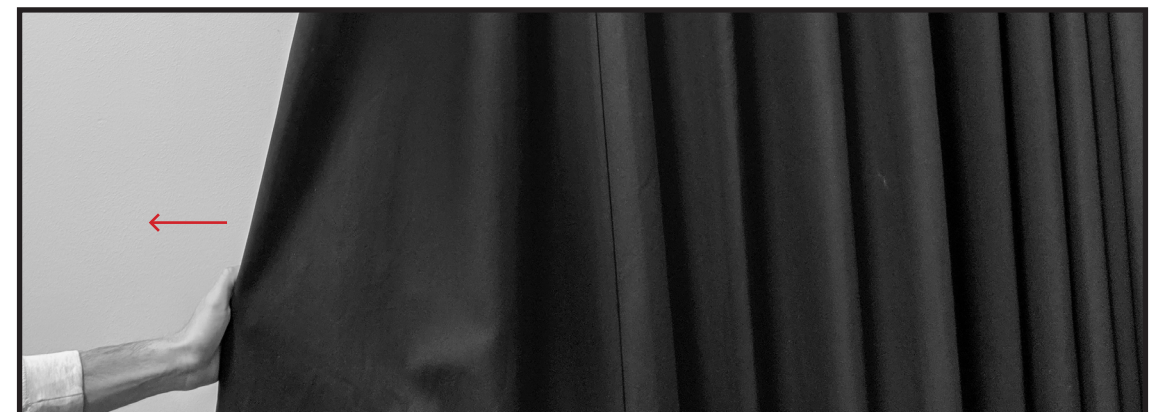
In single applications, the Pendant (or Pendantless grip) lets the user pull down and release to open, stop, and close the curtain. In dual applications, one Pendant or Grip can control both curtains: pull down and release to open, close, and stop the blackout, then lift up to open, stop, and close the sheer. Batteries are housed in the Pendant for ease of alkaline battery change-out. Rechargeable batteries have a receptacle on the bottom of the Pendant to accept the Current Products Corp. battery charger. Hardwire is available with a "Dead Weight" Pendant or with a "Pendantless" Grip.

### Smart Assist



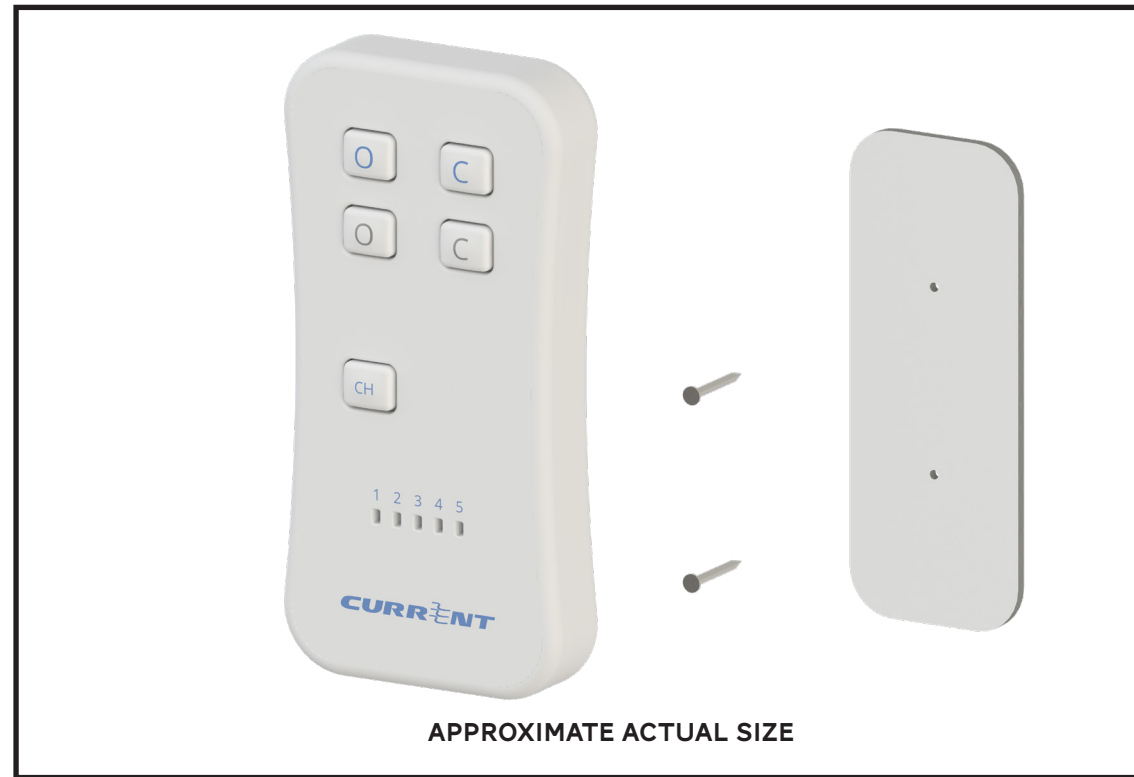
When enabled, Smart Assist allows the user to manually move the curtain 12" or more to engage the motor and the curtain will automatically move to the preset open or close position.

### Manual Control



In applications where Smart Assist is disabled, or when power is disconnected from the unit, the curtain can be manually moved by hand to any position desired by the user.

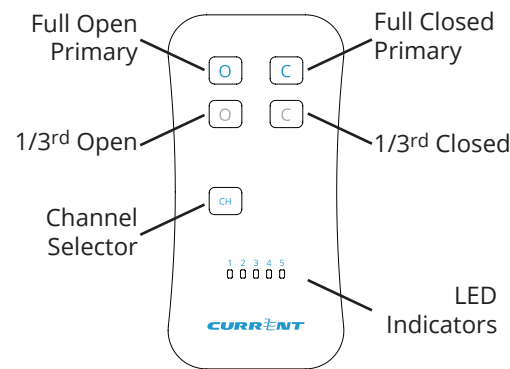
Handheld Remote with Optional Wall Plate



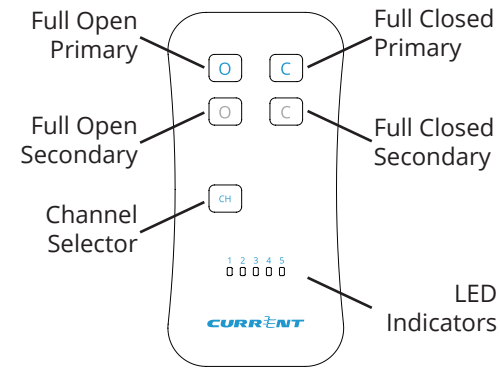
The handheld ergonomic remote control can be used for both single and dual curtains. The magnetic back of the remote allows for wall mounting.

Included is an adhesive backed wall plate with optional brad nails to minimize damage to drywall.

USING THE REMOTE CONTROL- SINGLE DRAPERY



USING THE REMOTE CONTROL- DUAL DRAPERY



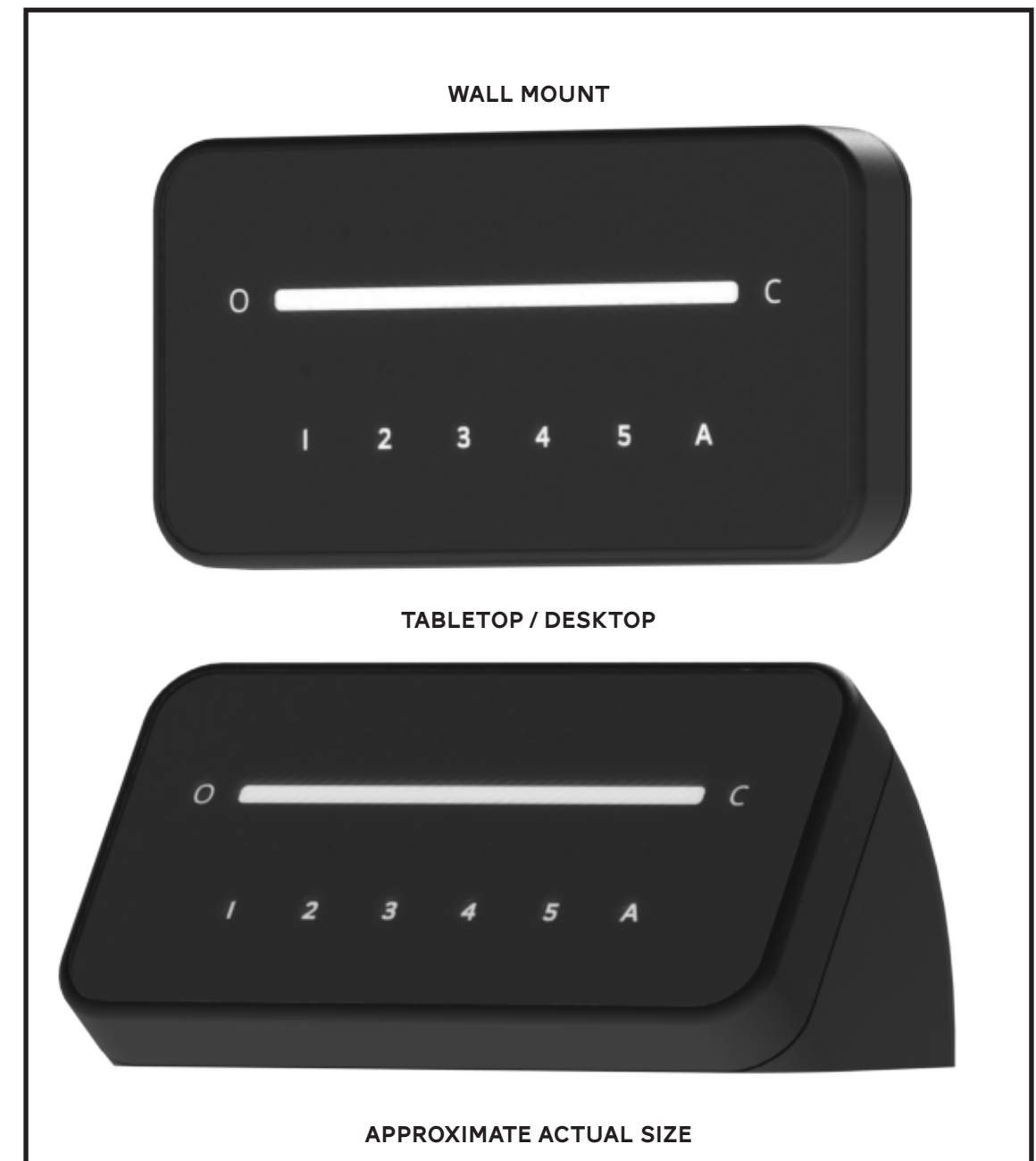
On single curtains the lower two buttons become presets to 1/3rd and 2/3rd intermediate positions.

For partial open and close, a continuous press of the open or close buttons will stop the curtain with the release of the button.

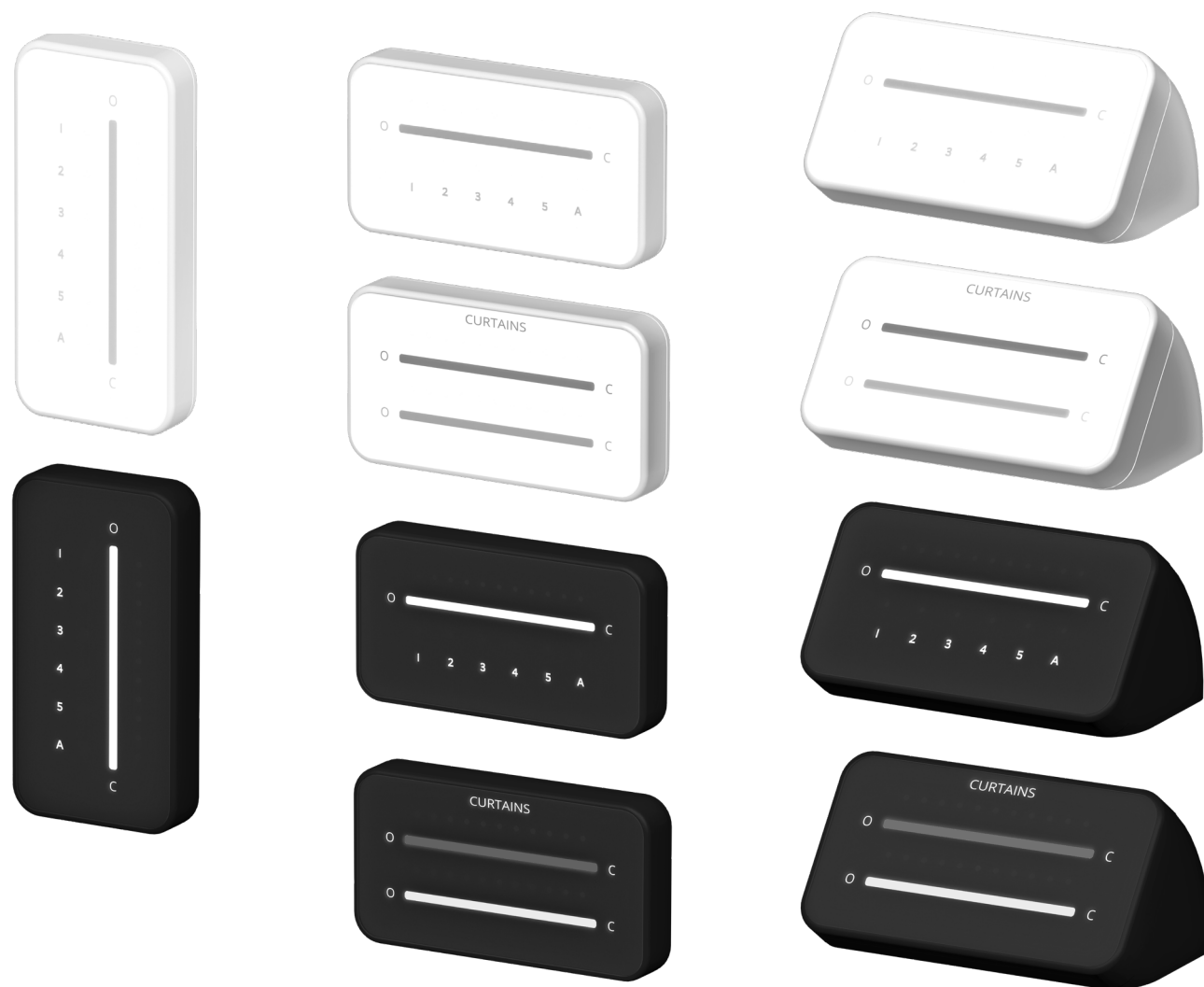
Alternatively, a momentary press of a close or open button can be followed by another momentary press of the other directional button to stop the curtain movement.

Current Touch Remote

Coming Soon



The patent pending Current Touch FM and Zigbee remotes offer a unique and versatile control experience of Current Products Corp. motorized drapery products. These coin cell battery powered remotes (or hardwired) respond to a light touch or finger glide across the control bar. The control bar simulates the daylight opening of the window so that one touch will move the curtain to the exact desired location.



Channel enabled remotes have 5 separate channels and one All Channel. The All Channel controls all 5 channels at once.

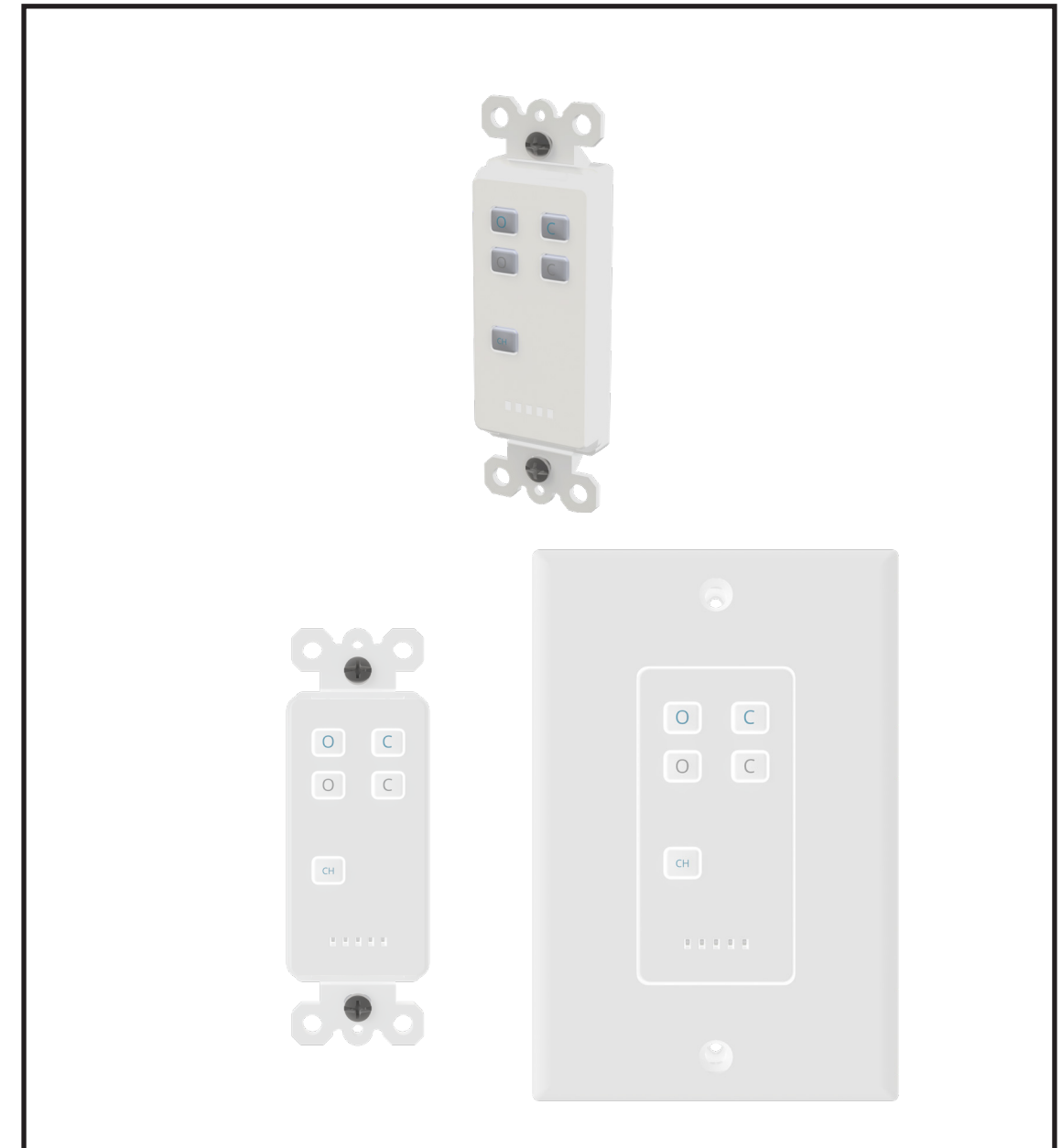
In applications that do not require channels, such as hospitality, dual bars control blackout and sheer curtains.

The tabletop remote is weighted and has a non-skid material attached to the bottom that grips tabletop surfaces for ease of use.

The versatile wall mounted remote is backed with both a non-skid material and a magnetic material. With an adhesive backed wall plate provided, this allows the remote to be used as a tabletop remote or a wall mounted remote. For applications such as hospitality, holes are provided for permanently attaching the Current Touch remote to the wall. The dual slider wall mount remote is available as coin cell battery powered, or hardwired via CAT5e or CAT6.

## Hardwire Wall Switches

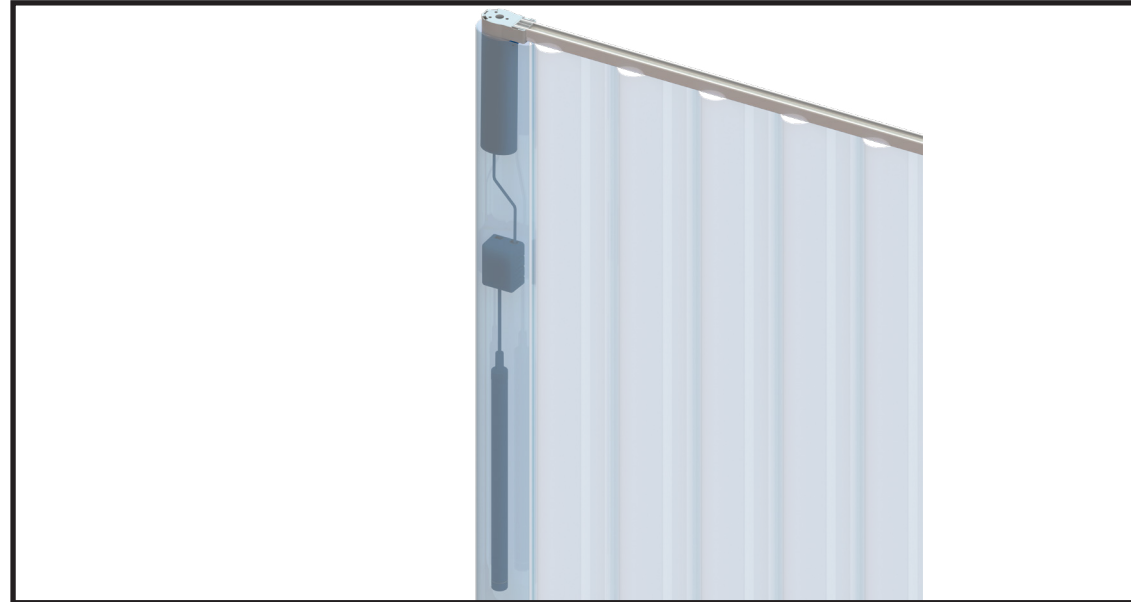
Coming Soon



Hardwire controls are available in a standard wall switch style. The wall switch fits any standard off-the-shelf "decora" style wall plate and receptacle. The hardwire switch requires a Current Products Corp. hardwire box to receive power and send commands.

These switches can be used in a standalone Current Products Corp. system, or if desired, be integrated into any other system using the hardwire box.

## Sensor & Group Control



The wall mounted sensor box houses integrated light and temperature sensors that automate the movement of the curtain based on light and temperature readings. Sensors can easily be turned off if desired. The patented algorithm seamlessly blends the need for privacy with the want for energy conservation. Grouping is also made possible with the sensor box; in a group, moving one curtain manually or by using Smart Assist will move each curtain in the group to the same percentage open or close position.

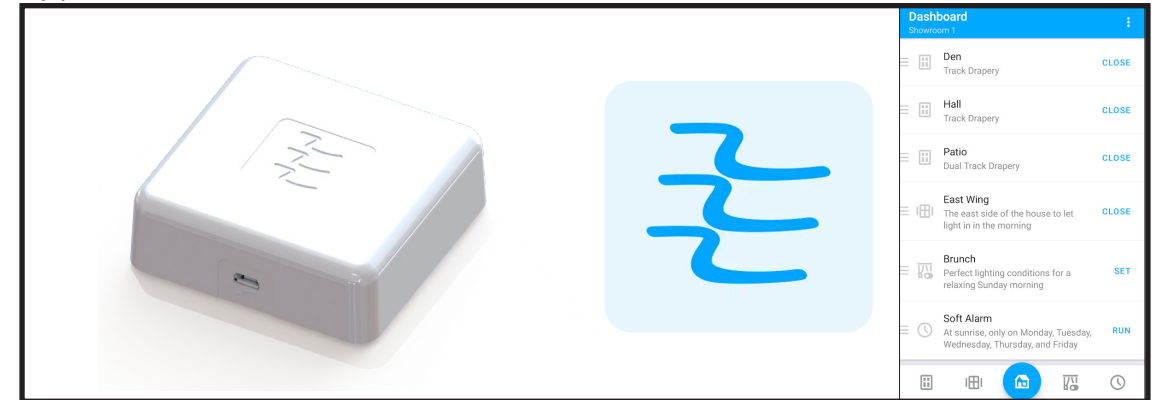


- LIGHT SENSOR.** Press and release to toggle between three sensor modes.
  - TEMPERATURE SENSOR.** Press and release to toggle between three sensor modes.
  - MASTER CONTROL.** Press and release to toggle between all sensors on and all sensors off. Sensors will remember their last mode.
- Solid Green | Fully Automatic | Opens & Closes
  - Flashing Green | Semi-Automatic | Closes Only
  - Solid Red | Off | No Automatic Movements

In fully automatic mode, the light sensor will open the curtain when it detects sunrise and close the curtain when it detects sunset. In semi-automatic mode, the sensor will only trigger a close at sunset, allowing the user to open the curtain at their leisure.

In fully automatic mode the temperature sensor will open the curtain if it is daylight when it detects temperatures near the window dropping below 69°F, and it will close the curtain if temperatures near the window exceed 86°F. To protect privacy, the temperature sensor will never open the curtains at night. In semi-automatic mode, the temperature sensor will only close the curtains.

## App



The Current Products Corp. Zigbee bridge provides Current Products Corp. Zigbee device users the ability to use the MyCurtains app, and to integrate into a variety of other wireless smart home ecosystems where a Zigbee bridge does not currently exist. The CPC Bridge is only compatible with products manufactured by Current Products Corp.

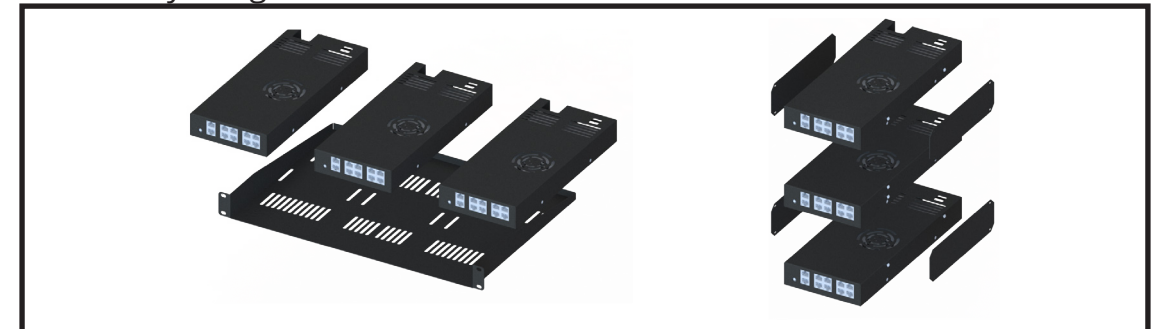
When paired with the bridge, the Silent Trac can be controlled via app from anywhere in the world (as long as you have an internet connection), in which users can control individual devices, create and control groups, set schedules, and create and initiate scenes.

## Voice



With the Zigbee Silent Trac, users have the ability to integrate into either or both the Amazon Echo platform and the Google Home platform. If a user has an Amazon Echo Plus, they can connect the Zigbee Current Products Corp. device natively to the Amazon Echo Plus' integrated Zigbee hub without the need for the Current Products Corp. bridge. With the Current Products Corp. bridge, users gain access to the smart phone application and can use the Alexa or Google Home skill to enable voice control.

## Third Party Integration



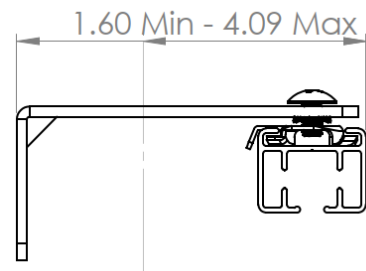
Using FM, Zigbee hardwire, or Zigbee RF, the Silent Trac is able to integrate into third party whole home control platforms and be controlled by their system.

In hardwire CAT5e and CAT6 applications for power and control, one closet box is needed for every 8 Current Products Corp. devices. Manual control, pendant control, smart assist, the handheld remote, the Current Touch Remote, and the Sensor Box will all remain available options regardless of protocol or ecosystem.

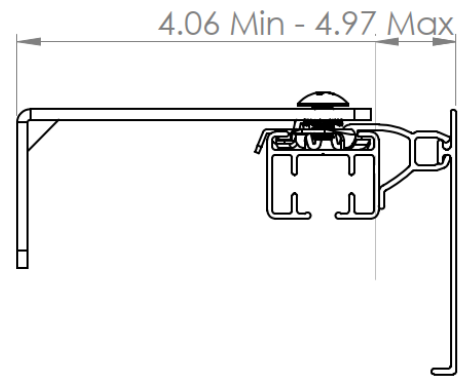
# Brackets & Fascia Reference Guide

## SINGLE STANDARD WALL BRACKETS

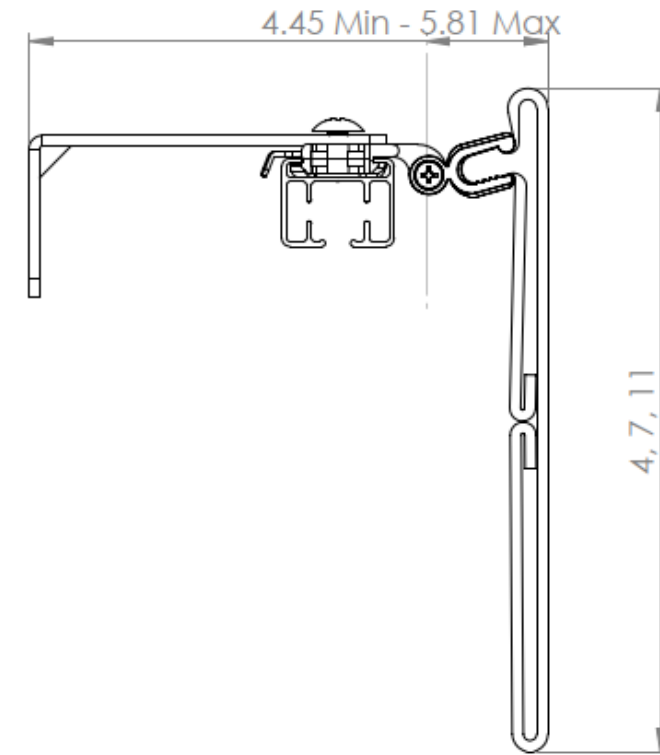
No Fascia



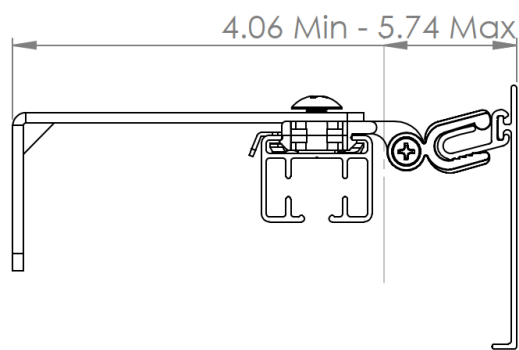
Metal Fascia with Fixed Clip



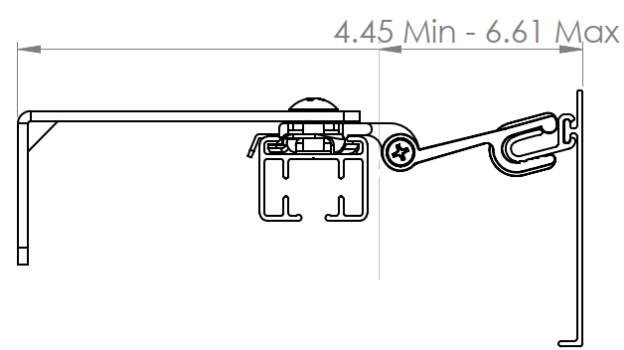
Fabric Wrapped Fascia with Short Clip



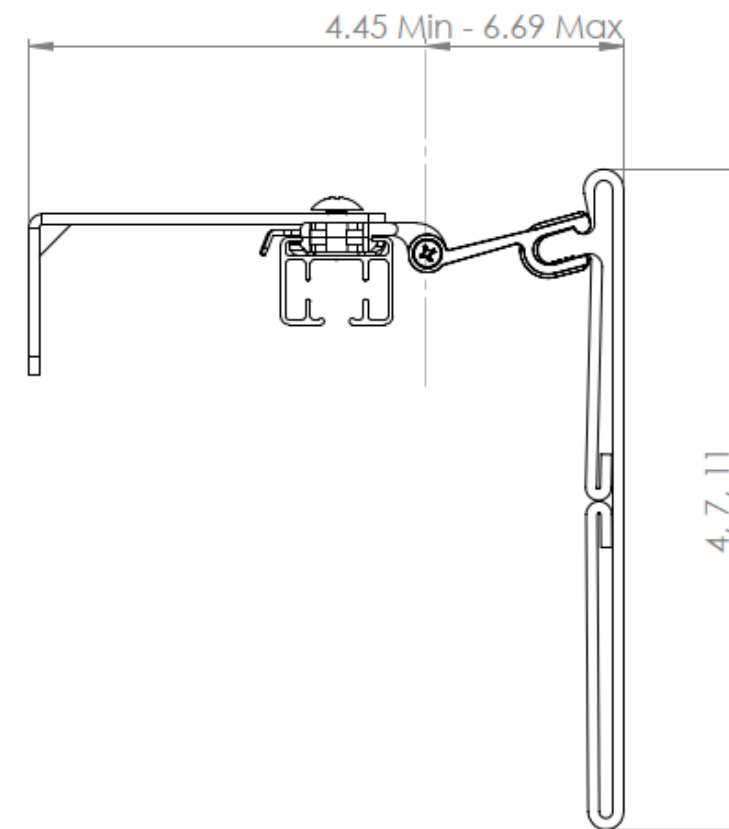
Metal Fascia with Short Clip



Metal Fascia with Long Clip

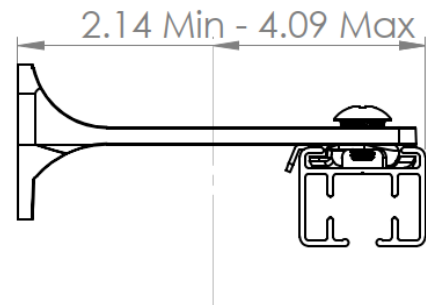


Fabric Wrapped Fascia with Long Clip

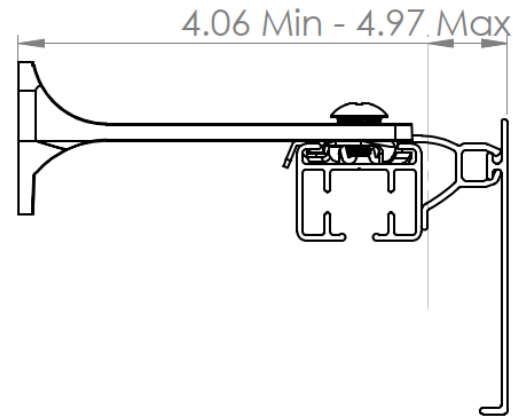


### SINGLE LOW PROFILE WALL BRACKETS

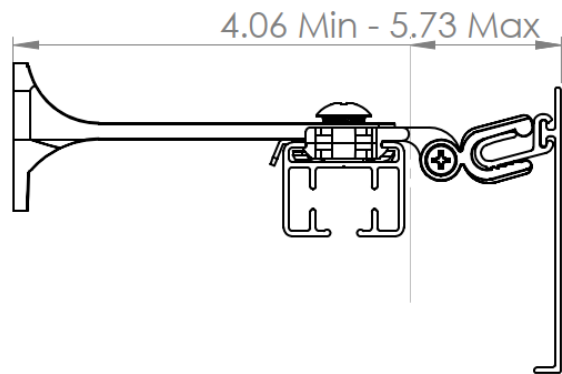
No Fascia



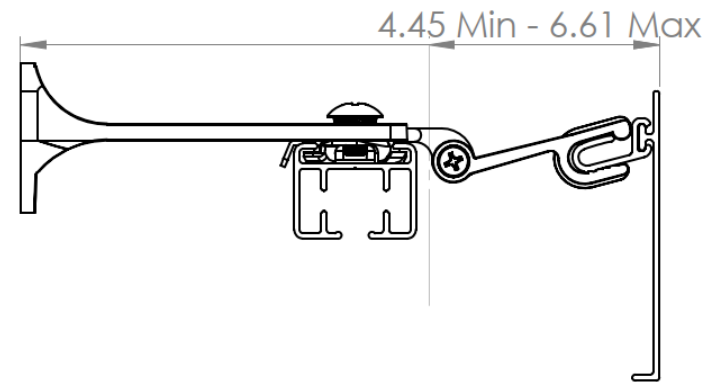
Metal Fascia with Fixed Clip



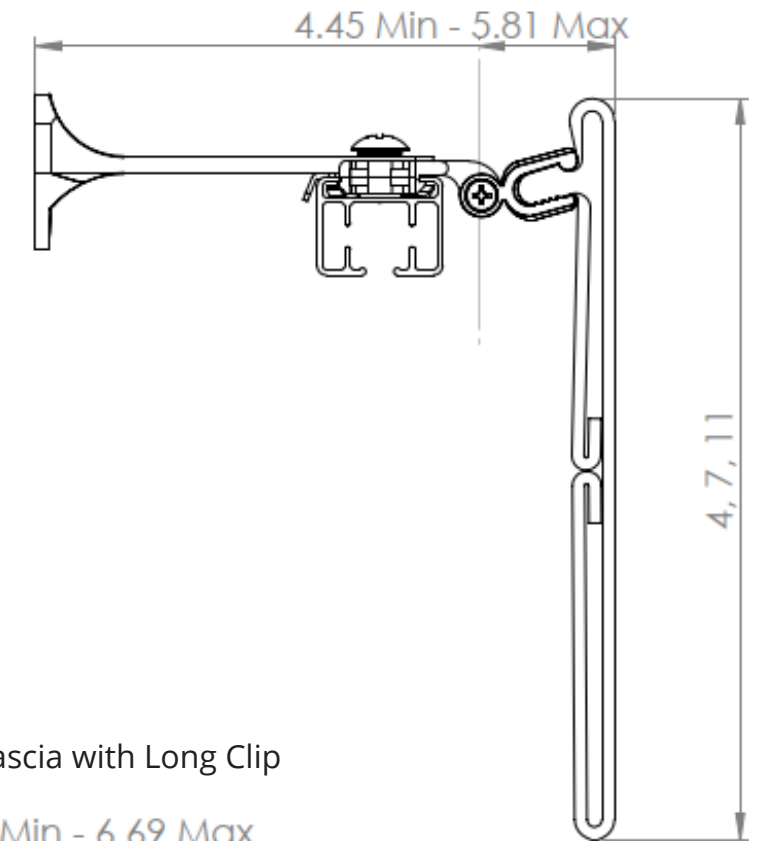
Metal Fascia with Short Clip



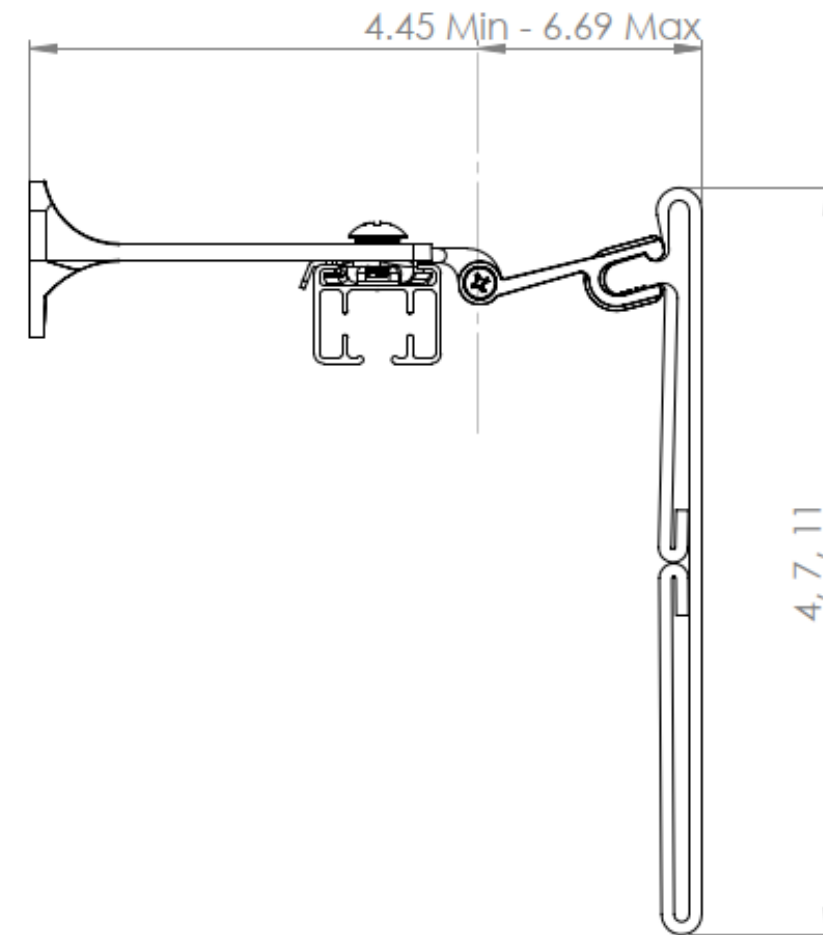
Metal Fascia with Long Clip



Fabric Wrapped Fascia with Short Clip

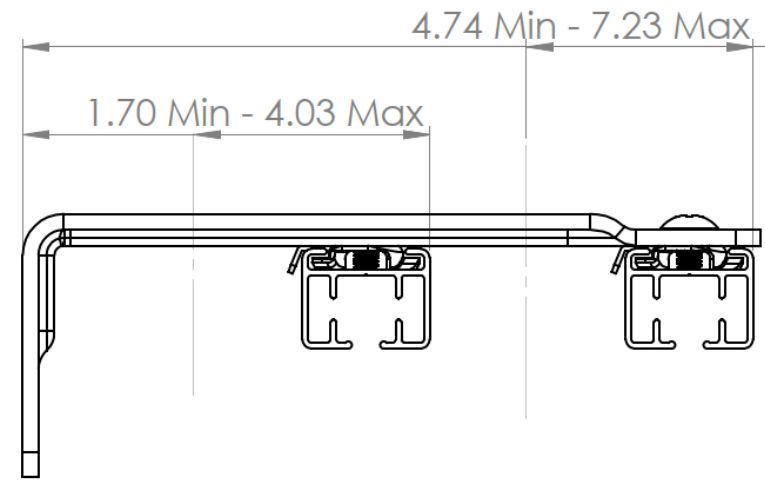


Fabric Wrapped Fascia with Long Clip

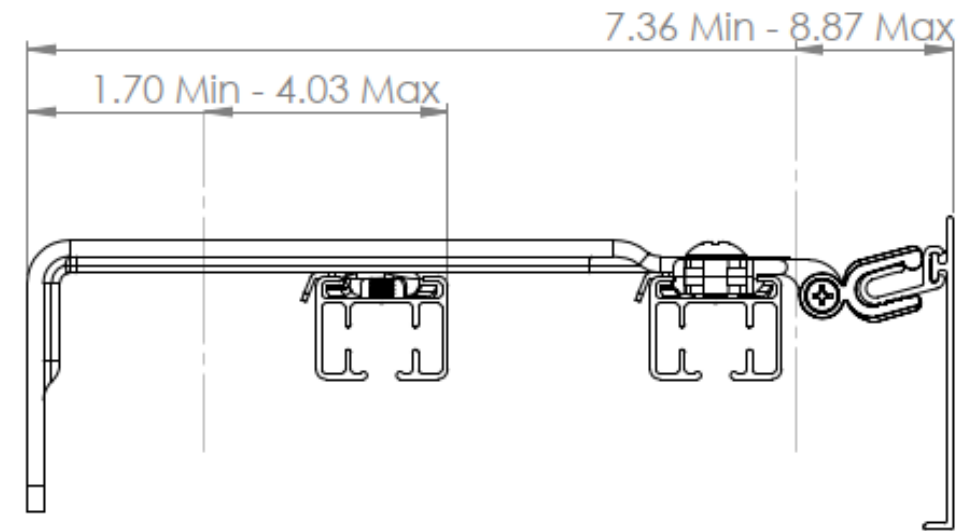


### DUAL STANDARD WALL BRACKETS

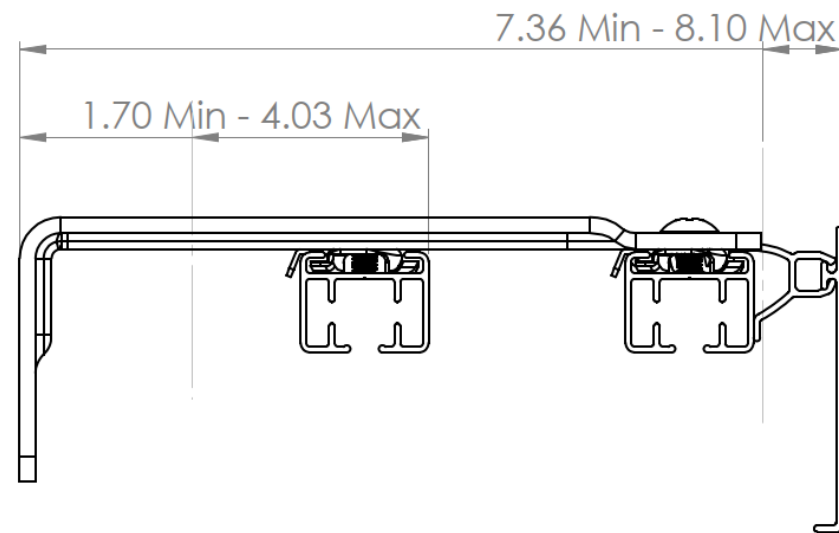
No Fascia



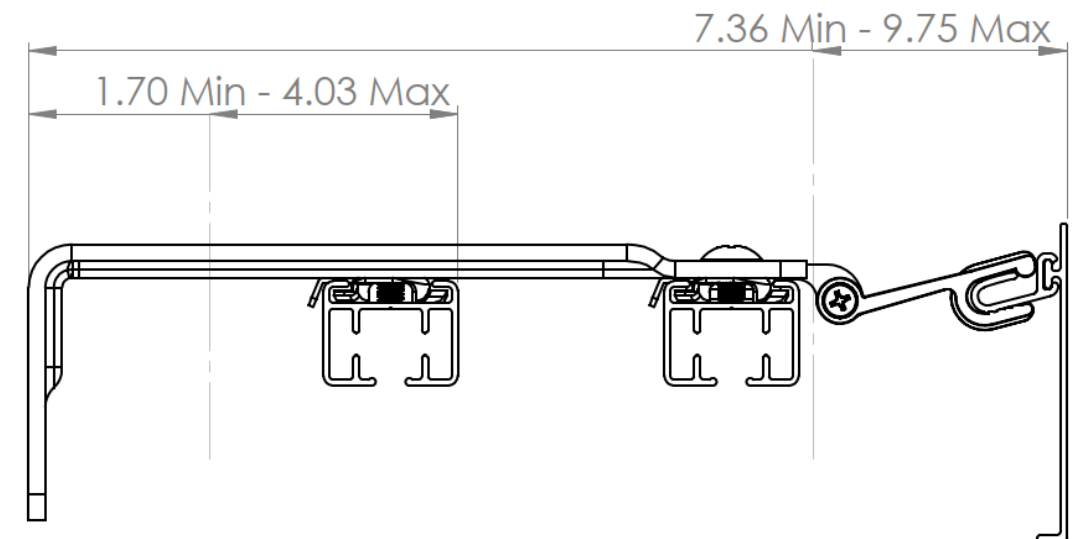
Metal Fascia with Short Clip



Metal Fascia with Fixed Clip

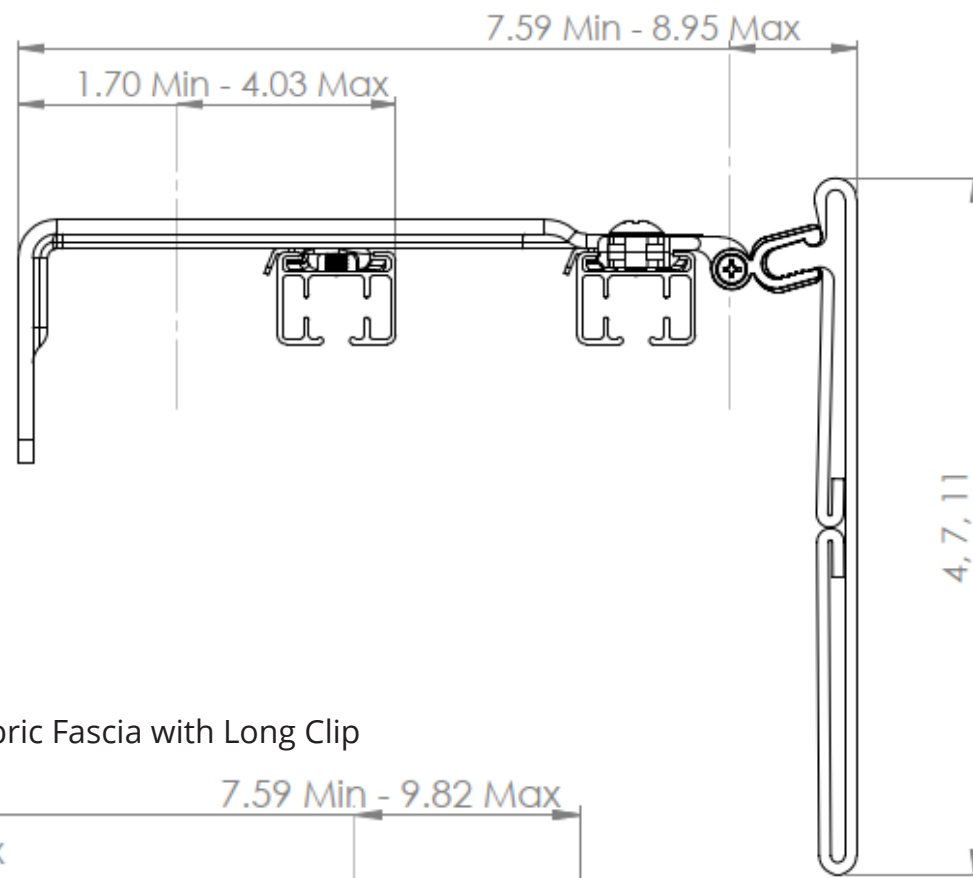


Metal Fascia with Long Clip

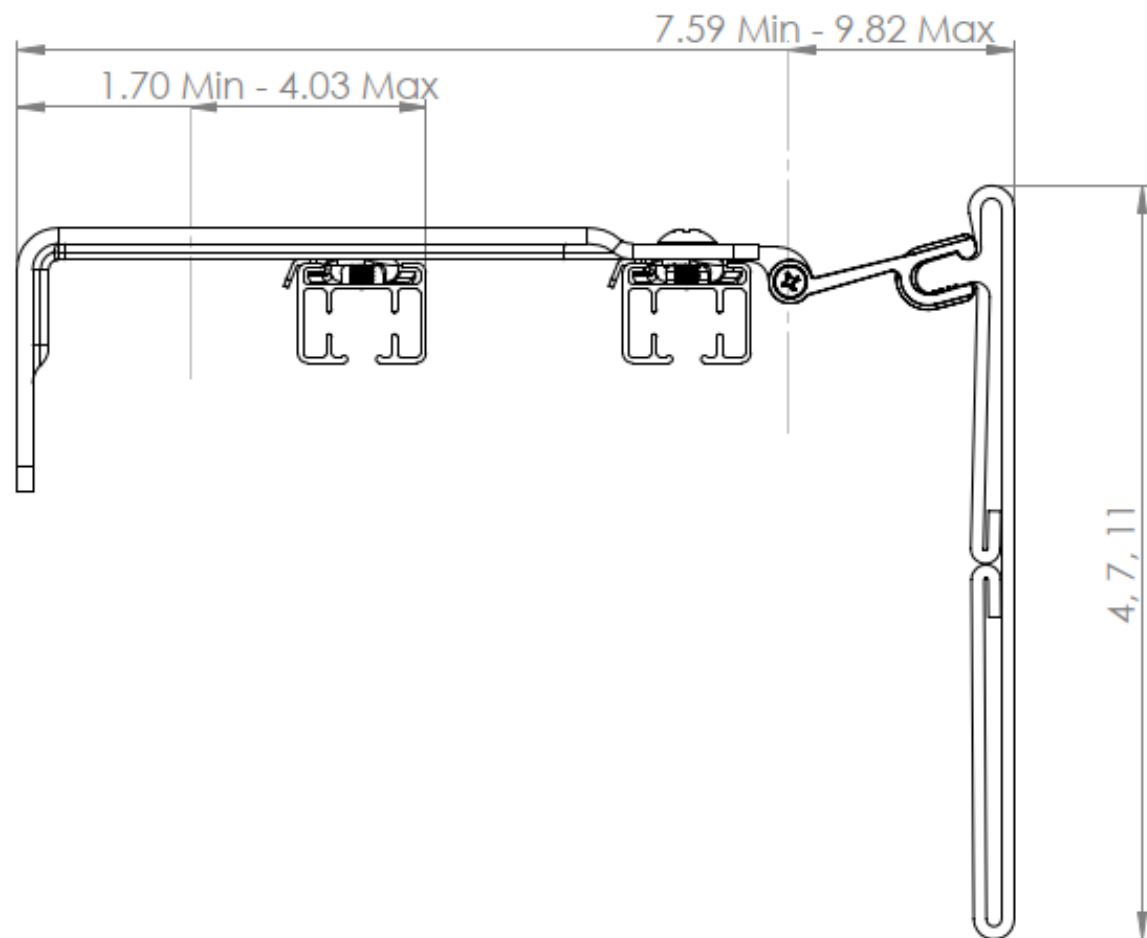




Fabric Fascia with Short Clip

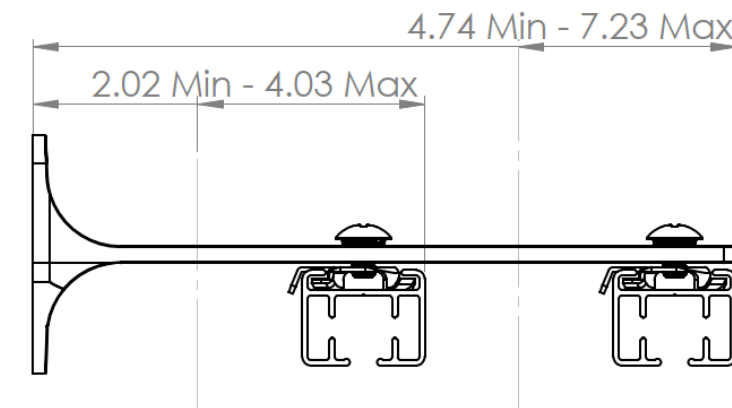


Fabric Fascia with Long Clip

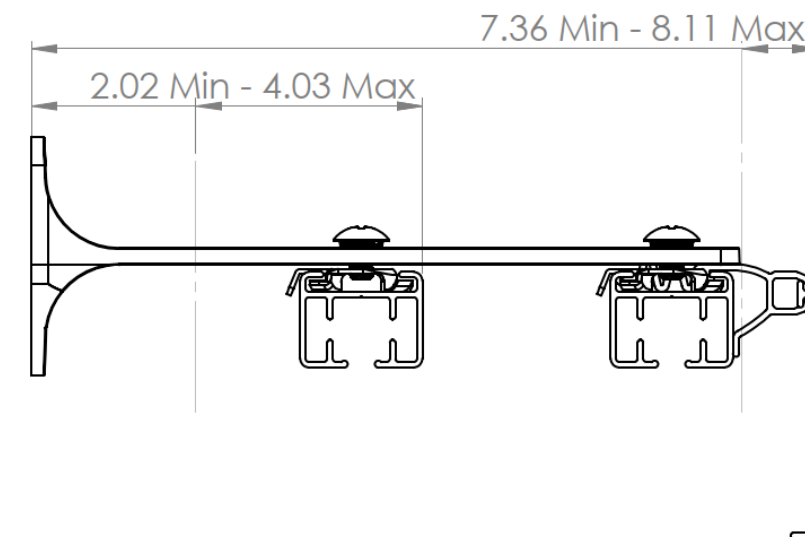


DUAL LOW PROFILE WALL BRACKETS

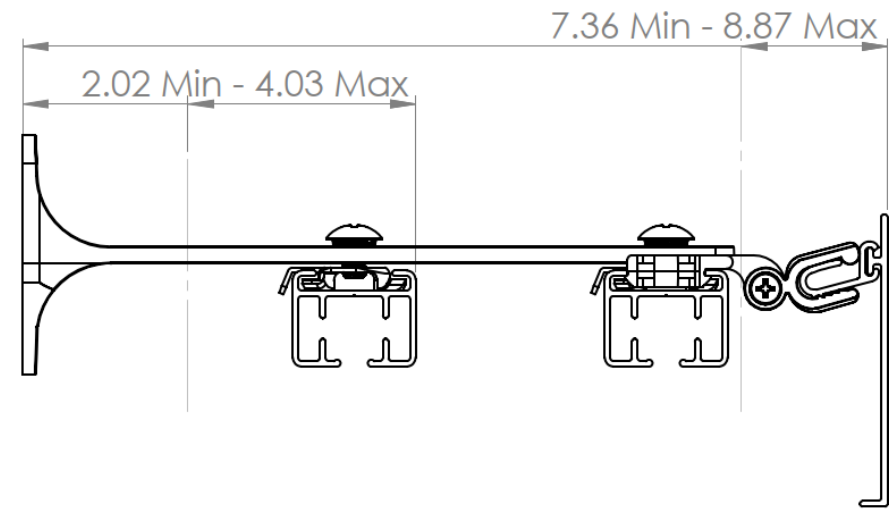
No Fascia



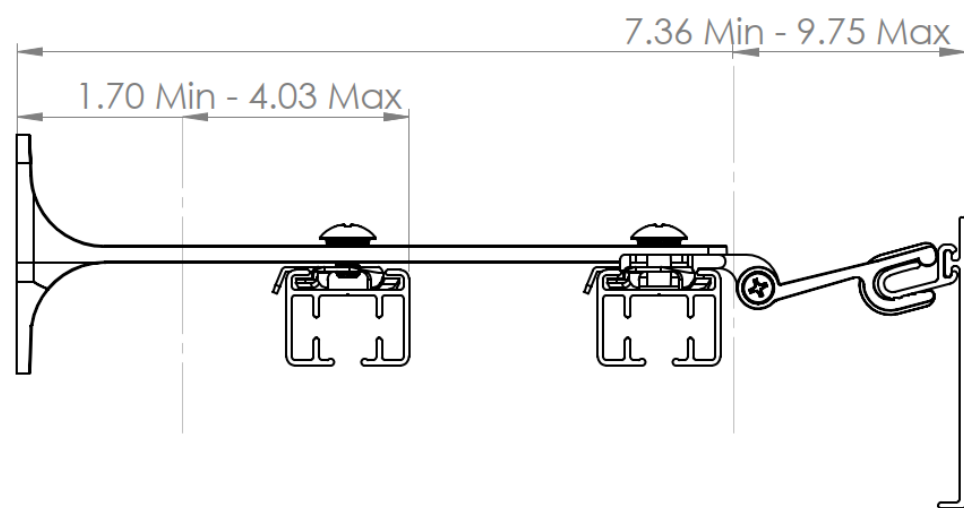
Metal Fascia with Fixed Clip



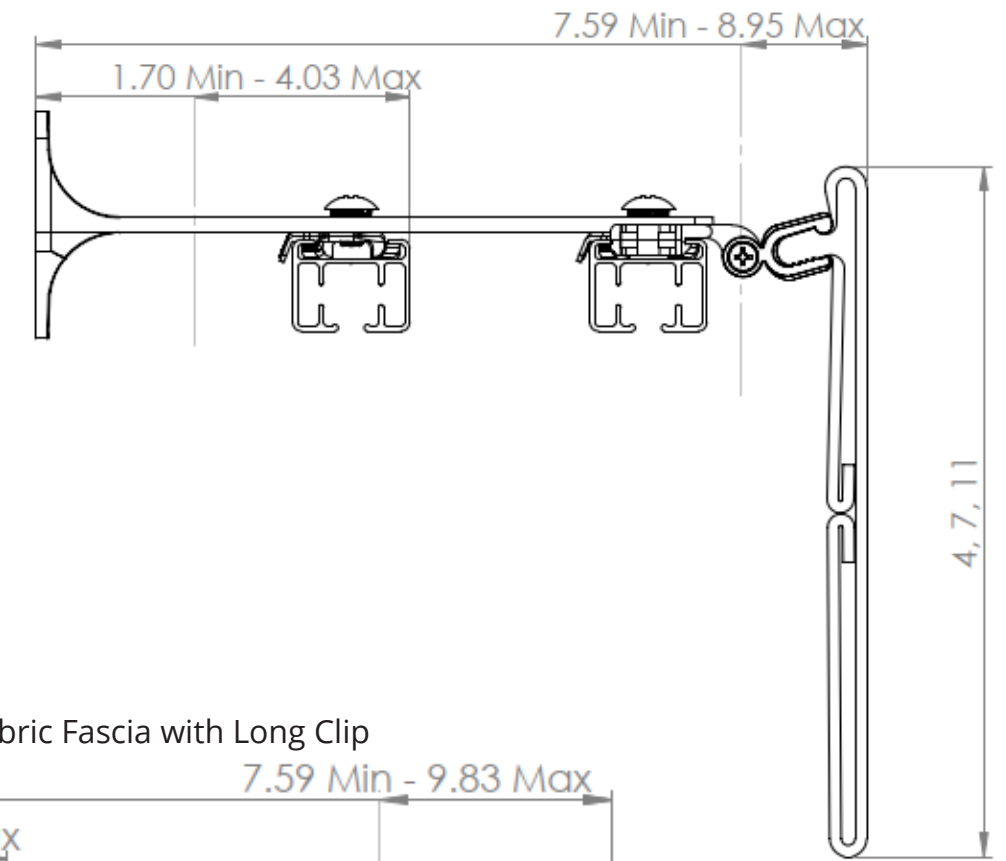
Metal Fascia with Short Clip



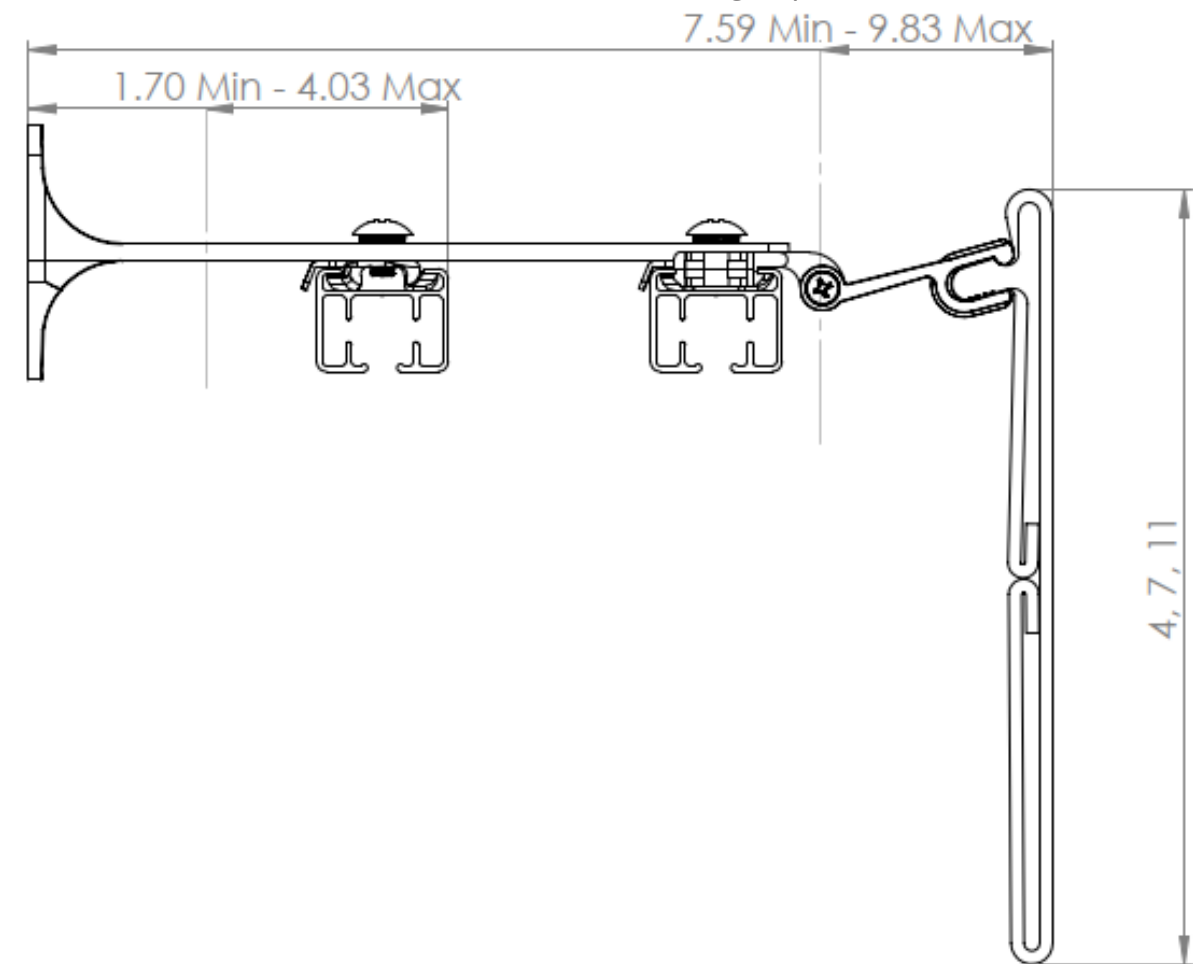
Metal Fascia with Long Clip



Fabric Fascia with Short Clip



Fabric Fascia with Long Clip

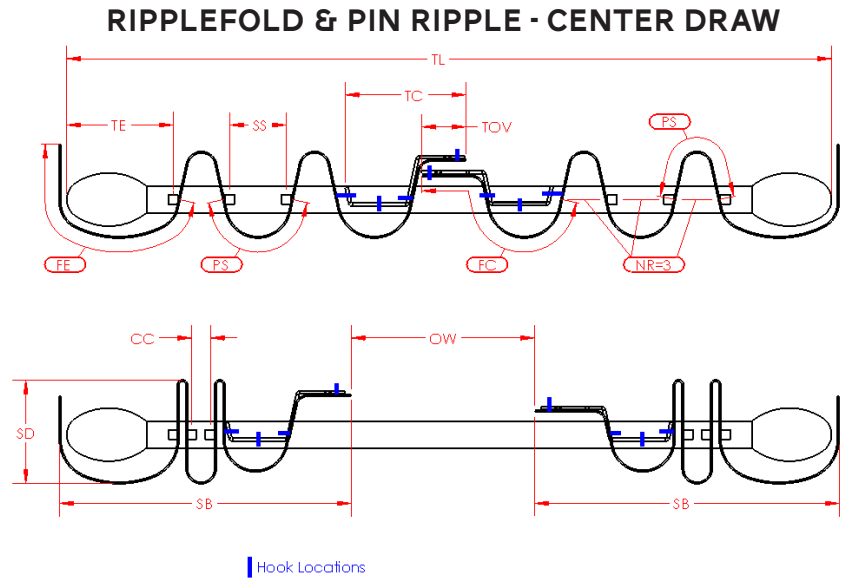


# Carrier Counts & Stackback Reference Guide

The following charts reflect estimates of stackback; actual stackback will vary based on fabric and drapery construction.

## PINCH PLEAT - CENTER AND SIDE DRAW

Track Length		SIDE DRAW			CENTER DRAW		
Inches	Feet	# Carriers	Total Stackback Low (.75" per carrier)	Total Stackback High (1.5" per carrier)	# Carriers	Total Stackback Low (.75" per carrier)	Total Stackback High (1.5" per carrier)
48	4	12	17	26	10	23.5	31
60	5	15	19.25	30.5	13	25.75	35.5
72	6	18	21.5	35	16	28	40
84	7	21	23.75	39.5	19	30.25	44.5
96	8	24	26	44	22	32.5	49
108	9	27	28.25	48.5	25	34.75	53.5
120	10	30	30.5	53	28	37	58
132	11	33	32.75	57.5	31	39.25	62.5
144	12	36	35	62	34	41.5	67
156	13	39	37.25	66.5	37	43.75	71.5
168	14	42	39.5	71	40	46	76
180	15	45	41.75	75.5	43	48.25	80.5
192	16	48	44	80	46	50.5	85
204	17	51	46.25	84.5	49	52.75	89.5
216	18	54	48.5	89	52	55	94
228	19	57	50.75	93.5	55	57.25	98.5
240	20	60	53	98	58	59.5	103
252	21	63	55.25	102.5	61	61.75	107.5
264	22	66	57.5	107	64	64	112
276	23	69	59.75	111.5	67	66.25	116.5
288	24	72	62	116	70	68.5	121
300	25	75	64.25	120.5	73	70.75	125.5
312	26	78	66.5	125	76	73	130
324	27	81	68.75	129.5	79	75.25	134.5
336	28	84	71	134	82	77.5	139
348	29	87	73.25	138.5	85	79.75	143.5
360	30	90	75.5	143	88	82	148
372	31	93	77.75	147.5	91	84.25	152.5
384	32	96	80	152	94	86.5	157
396	33	99	82.25	156.5	97	88.75	161.5
408	34	102	84.5	161	100	91	166
420	35	105	86.75	165.5	103	93.25	170.5
432	36	108	89	170	106	95.5	175

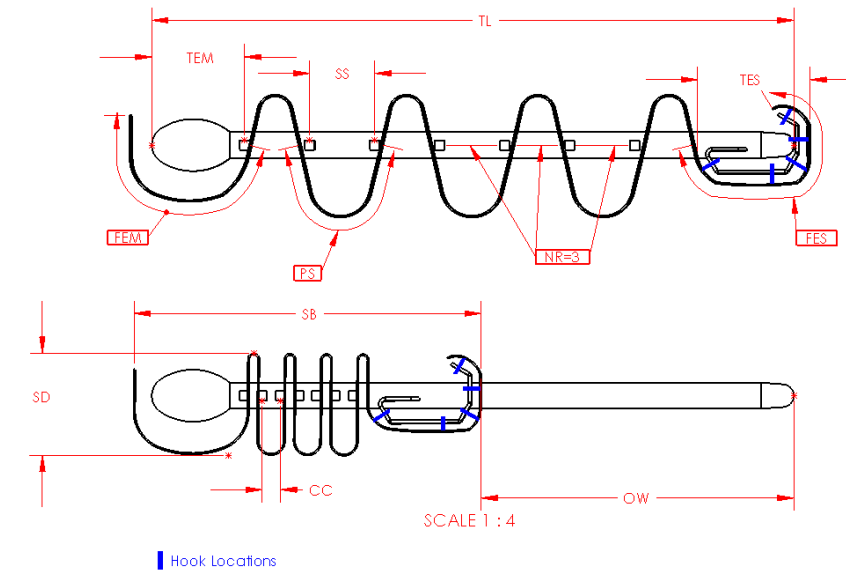


Panel width includes 4" of motor coverage. Add any desired return to panel width. Calculations assume 0.75" per "ripple".

Center Draw (in)			1.875		2.125		2.375		2.625		Stack Back Per Side SB
Number of Ripples NR	Panel Width Per Side PW	No. of Carriers NR	Track Length 120% TL	Opening Width 120% OW	Track Length 100% TL	Opening Width 100% OW	Track Length 80% TL	Opening Width 80% OW	Track Length 60% TL	Opening Width 60% OW	
3	32 1/4	3	26 1/4	5 1/4	27 3/4	6 3/4	29 1/4	8 1/4	30 3/4	9 3/4	
5	40 3/4	5	33 3/4	9 3/4	36 1/4	12 1/4	38 3/4	14 3/4	41 1/4	17 1/4	12
7	49 1/4	7	41 1/4	14 1/4	44 3/4	17 3/4	48 1/4	21 1/4	51 3/4	24 3/4	13 1/2
9	57 3/4	9	48 3/4	18 3/4	53 1/4	23 1/4	57 3/4	27 3/4	62 1/4	32 1/4	15
11	66 1/4	11	56 1/4	23 1/4	61 3/4	28 3/4	67 1/4	34 1/4	72 3/4	39 3/4	16 1/2
13	74 3/4	13	63 3/4	27 3/4	70 1/4	34 1/4	76 3/4	40 3/4	83 1/4	47 1/4	18
15	83 1/4	15	71 1/4	32 1/4	78 3/4	39 3/4	86 1/4	47 1/4	93 3/4	54 3/4	19 1/2
17	91 3/4	17	78 3/4	36 3/4	87 1/4	45 1/4	95 3/4	53 3/4	104 1/4	62 1/4	21
19	100 1/4	19	86 1/4	41 1/4	95 3/4	50 3/4	105 1/4	60 1/4	114 3/4	69 3/4	22 1/2
21	108 3/4	21	93 3/4	45 3/4	104 1/4	56 1/4	114 3/4	66 3/4	125 1/4	77 1/4	24
23	117 1/4	23	101 1/4	50 1/4	112 3/4	61 3/4	124 1/4	73 1/4	135 3/4	84 3/4	25 1/2
25	125 3/4	25	108 3/4	54 3/4	121 1/4	67 1/4	133 3/4	79 3/4	146 1/4	92 1/4	27
27	134 1/4	27	116 1/4	59 1/4	129 3/4	72 3/4	143 1/4	86 1/4	156 3/4	99 3/4	28 1/2
29	142 3/4	29	123 3/4	63 3/4	138 1/4	78 1/4	152 3/4	92 3/4	167 1/4	107 1/4	30
31	151 1/4	31	131 1/4	68 1/4	146 3/4	83 3/4	162 1/4	99 1/4	177 3/4	114 3/4	31 1/2
33	159 3/4	33	138 3/4	72 3/4	155 1/4	89 1/4	171 3/4	105 3/4	188 1/4	122 1/4	33
35	168 1/4	35	146 1/4	77 1/4	163 3/4	94 3/4	181 1/4	112 1/4	198 3/4	129 3/4	34 1/2
37	176 3/4	37	153 3/4	81 3/4	172 1/4	100 1/4	190 3/4	118 3/4	209 1/4	137 1/4	36
39	185 1/4	39	161 1/4	86 1/4	180 3/4	105 3/4	200 1/4	125 1/4	219 3/4	144 3/4	37 1/2
41	193 3/4	41	168 3/4	90 3/4	189 1/4	111 1/4	209 3/4	131 3/4	230 1/4	152 1/4	39
43	202 1/4	43	176 1/4	95 1/4	197 3/4	116 3/4	219 1/4	138 1/4	240 3/4	159 3/4	40 1/2
45	210 3/4	45	183 3/4	99 3/4	206 1/4	122 1/4	228 3/4	144 3/4	251 1/4	167 1/4	42
47	219 1/4	47	191 1/4	104 1/4	214 3/4	127 3/4	238 1/4	151 1/4	261 3/4	174 3/4	43 1/2
49	227 3/4	49	198 3/4	108 3/4	223 1/4	133 1/4	247 3/4	157 3/4	272 1/4	182 1/4	45
51	236 1/4	51	206 1/4	113 1/4	231 3/4	138 3/4	257 1/4	164 1/4	282 3/4	189 3/4	46 1/2
53	244 3/4	53	213 3/4	117 3/4	240 1/4	144 1/4	266 3/4	170 3/4	293 1/4	197 1/4	48
55	253 1/4	55	221 1/4	122 1/4	248 3/4	149 3/4	276 1/4	177 1/4	303 3/4	204 3/4	49 1/2
57	261 3/4	57	228 3/4	126 3/4	257 1/4	155 1/4	285 3/4	183 3/4	314 1/4	212 1/4	51

Center Draw (in)			1.875		2.125		2.375		2.625		Stack Back Per Side
Number of Ripples	Panel Width Per Side	No. of Carriers	Track Length 120%	Opening Width 120%	Track Length 100%	Opening Width 100%	Track Length 80%	Opening Width 80%	Track Length 60%	Opening Width 60%	
NR	PW	NR	TL	OW	TL	OW	TL	OW	TL	OW	
59	270 1/4	59	236 1/4	131 1/4	265 3/4	160 3/4	295 1/4	190 1/4	324 3/4	219 3/4	52 1/2
61	278 3/4	61	243 3/4	135 3/4	274 1/4	166 1/4	304 3/4	196 3/4	335 1/4	227 1/4	54
63	287 1/4	63	251 1/4	140 1/4	282 3/4	171 3/4	314 1/4	203 1/4	345 3/4	234 3/4	55 1/2
65	295 3/4	65	258 3/4	144 3/4	291 1/4	177 1/4	323 3/4	209 3/4	356 1/4	242 1/4	57
67	304 1/4	67	266 1/4	149 1/4	299 3/4	182 3/4	333 1/4	216 1/4	366 3/4	249 3/4	58 1/2
69	312 3/4	69	273 3/4	153 3/4	308 1/4	188 1/4	342 3/4	222 3/4	377 1/4	257 1/4	60
71	321 1/4	71	281 1/4	158 1/4	316 3/4	193 3/4	352 1/4	229 1/4	387 3/4	264 3/4	61 1/2
73	329 3/4	73	288 3/4	162 3/4	325 1/4	199 1/4	361 3/4	235 3/4	398 1/4	272 1/4	63
75	338 1/4	75	296 1/4	167 1/4	333 3/4	204 3/4	371 1/4	242 1/4	408 3/4	279 3/4	64 1/2
77	346 3/4	77	303 3/4	171 3/4	342 1/4	210 1/4	380 3/4	248 3/4	419 1/4	287 1/4	66
79	355 1/4	79	311 1/4	176 1/4	350 3/4	215 3/4	390 1/4	255 1/4	429 3/4	294 3/4	67 1/2
81	363 3/4	81	318 3/4	180 3/4	359 1/4	221 1/4	399 3/4	261 3/4	440 1/4	302 1/4	69

**RIPPLEFOLD & PIN RIPPLE - SIDE DRAW**



Panel width includes 4" of motor coverage. Add any desired return to panel width. Calculations assume 0.75" per "ripple".

Side Draw (in)			1.875		2.125		2.375		2.625		Stack Back Per Side
Number of Ripples	Panel Width Per Side	No. of Carriers	Track Length 120%	Opening Width 120%	Track Length 100%	Opening Width 100%	Track Length 80%	Opening Width 80%	Track Length 60%	Opening Width 60%	
NR	PW	NR	TL	OW	TL	OW	TL	OW	TL	OW	
3	26 1/4	3	14 3/8	3 3/8	15 1/8	4 1/8	15 7/8	4 7/8	16 5/8	5 5/8	11
5	34 3/4	5	18 1/8	5 5/8	19 3/8	6 7/8	20 5/8	8 1/8	21 7/8	9 3/8	12 1/2
7	43 1/4	7	21 7/8	7 7/8	23 5/8	9 5/8	25 3/8	11 3/8	27 1/8	13 1/8	14
9	51 3/4	9	25 5/8	10 1/8	27 7/8	12 3/8	30 1/8	14 5/8	32 3/8	16 7/8	15 1/2
11	60 1/4	11	29 3/8	12 3/8	32 1/8	15 1/8	34 7/8	17 7/8	37 5/8	20 5/8	17
13	68 3/4	13	33 1/8	14 5/8	36 3/8	17 7/8	39 5/8	21 1/8	42 7/8	24 3/8	18 1/2
15	77 1/4	15	36 7/8	16 7/8	40 5/8	20 5/8	44 3/8	24 3/8	48 1/8	28 1/8	20
17	85 3/4	17	40 5/8	19 1/8	44 7/8	23 3/8	49 1/8	27 5/8	53 3/8	31 7/8	21 1/2
19	94 1/4	19	44 3/8	21 3/8	49 1/8	26 1/8	53 7/8	30 7/8	58 5/8	35 5/8	23
21	102 3/4	21	48 1/8	23 5/8	53 3/8	28 7/8	58 5/8	34 1/8	63 7/8	39 3/8	24 1/2
23	111 1/4	23	51 7/8	25 7/8	57 5/8	31 5/8	63 3/8	37 3/8	69 1/8	43 1/8	26
25	119 3/4	25	55 5/8	28 1/8	61 7/8	34 3/8	68 1/8	40 5/8	74 3/8	46 7/8	27 1/2
27	128 1/4	27	59 3/8	30 3/8	66 1/8	37 1/8	72 7/8	43 7/8	79 5/8	50 5/8	29
29	136 3/4	29	63 1/8	32 5/8	70 3/8	39 7/8	77 5/8	47 1/8	84 7/8	54 3/8	30 1/2
31	145 1/4	31	66 7/8	34 7/8	74 5/8	42 5/8	82 3/8	50 3/8	90 1/8	58 1/8	32
33	153 3/4	33	70 5/8	37 1/8	78 7/8	45 3/8	87 1/8	53 5/8	95 3/8	61 7/8	33 1/2
35	162 1/4	35	74 3/8	39 3/8	83 1/8	48 1/8	91 7/8	56 7/8	100 5/8	65 5/8	35
37	170 3/4	37	78 1/8	41 5/8	87 3/8	50 7/8	96 5/8	60 1/8	105 7/8	69 3/8	36 1/2
39	179 1/4	39	81 7/8	43 7/8	91 5/8	53 5/8	101 3/8	63 3/8	111 1/8	73 1/8	38
41	187 3/4	41	85 5/8	46 1/8	95 7/8	56 3/8	106 1/8	66 5/8	116 3/8	76 7/8	39 1/2
43	196 1/4	43	89 3/8	48 3/8	100 1/8	59 1/8	110 7/8	69 7/8	121 5/8	80 5/8	41
45	204 3/4	45	93 1/8	50 5/8	104 3/8	61 7/8	115 5/8	73 1/8	126 7/8	84 3/8	42 1/2

Side Draw (in)			1.875		2.125		2.375		2.625		Stack Back Per Side SB	
Number of Ripples NR	Panel Width Per Side PW	No. of Carriers NR	Track Length 120% TL	Opening Width 120% OW	Track Length 100% TL	Opening Width 100% OW	Track Length 80% TL	Opening Width 80% OW	Track Length 60% TL	Opening Width 60% OW		
47	213 1/4	47	96 7/8	52 7/8	108 5/8	64 5/8	120 3/8	76 3/8	132 1/8	88 1/8		44
49	221 3/4	49	100 5/8	55 1/8	112 7/8	67 3/8	125 1/8	79 5/8	137 3/8	91 7/8		45 1/2
51	230 1/4	51	104 3/8	57 3/8	117 1/8	70 1/8	129 7/8	82 7/8	142 5/8	95 5/8	47	
53	238 3/4	53	108 1/8	59 5/8	121 3/8	72 7/8	134 5/8	86 1/8	147 7/8	99 3/8	48 1/2	
55	247 1/4	55	111 7/8	61 7/8	125 5/8	75 5/8	139 3/8	89 3/8	153 1/8	103 1/8	50	
57	255 3/4	57	115 5/8	64 1/8	129 7/8	78 3/8	144 1/8	92 5/8	158 3/8	106 7/8	51 1/2	
59	264 1/4	59	119 3/8	66 3/8	134 1/8	81 1/8	148 7/8	95 7/8	163 5/8	110 5/8	53	
61	272 3/4	61	123 1/8	68 5/8	138 3/8	83 7/8	153 5/8	99 1/8	168 7/8	114 3/8	54 1/2	
63	281 1/4	63	126 7/8	70 7/8	142 5/8	86 5/8	158 3/8	102 3/8	174 1/8	118 1/8	56	
65	289 3/4	65	130 5/8	73 1/8	146 7/8	89 3/8	163 1/8	105 5/8	179 3/8	121 7/8	57 1/2	
67	298 1/4	67	134 3/8	75 3/8	151 1/8	92 1/8	167 7/8	108 7/8	184 5/8	125 5/8	59	
69	306 3/4	69	138 1/8	77 5/8	155 3/8	94 7/8	172 5/8	112 1/8	189 7/8	129 3/8	60 1/2	
71	315 1/4	71	141 7/8	79 7/8	159 5/8	97 5/8	177 3/8	115 3/8	195 1/8	133 1/8	62	
73	323 3/4	73	145 5/8	82 1/8	163 7/8	100 3/8	182 1/8	118 5/8	200 3/8	136 7/8	63 1/2	
75	332 1/4	75	149 3/8	84 3/8	168 1/8	103 1/8	186 7/8	121 7/8	205 5/8	140 5/8	65	
77	340 3/4	77	153 1/8	86 5/8	172 3/8	105 7/8	191 5/8	125 1/8	210 7/8	144 3/8	66 1/2	
79	349 1/4	79	156 7/8	88 7/8	176 5/8	108 5/8	196 3/8	128 3/8	216 1/8	148 1/8	68	
81	357 3/4	81	160 5/8	91 1/8	180 7/8	111 3/8	201 1/8	131 5/8	221 3/8	151 7/8	69 1/2	
83	366 1/4	83	164 3/8	93 3/8	185 1/8	114 1/8	205 7/8	134 7/8	226 5/8	155 5/8	71	
85	374 3/4	85	168 1/8	95 5/8	189 3/8	116 7/8	210 5/8	138 1/8	231 7/8	159 3/8	72 1/2	
87	383 1/4	87	171 7/8	97 7/8	193 5/8	119 5/8	215 3/8	141 3/8	237 1/8	163 1/8	74	
89	391 3/4	89	175 5/8	100 1/8	197 7/8	122 3/8	220 1/8	144 5/8	242 3/8	166 7/8	75 1/2	
91	400 1/4	91	179 3/8	102 3/8	202 1/8	125 1/8	224 7/8	147 7/8	247 5/8	170 5/8	77	
93	408 3/4	93	183 1/8	104 5/8	206 3/8	127 7/8	229 5/8	151 1/8	252 7/8	174 3/8	78 1/2	
95	417 1/4	95	186 7/8	106 7/8	210 5/8	130 5/8	234 3/8	154 3/8	258 1/8	178 1/8	80	
97	425 3/4	97	190 5/8	109 1/8	214 7/8	133 3/8	239 1/8	157 5/8	263 3/8	181 7/8	81 1/2	
99	434 1/4	99	194 3/8	111 3/8	219 1/8	136 1/8	243 7/8	160 7/8	268 5/8	185 5/8	83	
101	442 3/4	101	198 1/8	113 5/8	223 3/8	138 7/8	248 5/8	164 1/8	273 7/8	189 3/8	84 1/2	
103	451 1/4	103	201 7/8	115 7/8	227 5/8	141 5/8	253 3/8	167 3/8	279 1/8	193 1/8	86	
105	459 3/4	105	205 5/8	118 1/8	231 7/8	144 3/8	258 1/8	170 5/8	284 3/8	196 7/8	87 1/2	
107	468 1/4	107	209 3/8	120 3/8	236 1/8	147 1/8	262 7/8	173 7/8	289 5/8	200 5/8	89	
109	476 3/4	109	213 1/8	122 5/8	240 3/8	149 7/8	267 5/8	177 1/8	294 7/8	204 3/8	90 1/2	
111	485 1/4	111	216 7/8	124 7/8	244 5/8	152 5/8	272 3/8	180 3/8	300 1/8	208 1/8	92	
113	493 3/4	113	220 5/8	127 1/8	248 7/8	155 3/8	277 1/8	183 5/8	305 3/8	211 7/8	93 1/2	
115	502 1/4	115	224 3/8	129 3/8	253 1/8	158 1/8	281 7/8	186 7/8	310 5/8	215 5/8	95	
117	510 3/4	117	228 1/8	131 5/8	257 3/8	160 7/8	286 5/8	190 1/8	315 7/8	219 3/8	96 1/2	
119	519 1/4	119	231 7/8	133 7/8	261 5/8	163 5/8	291 3/8	193 3/8	321 1/8	223 1/8	98	
121	527 3/4	121	235 5/8	136 1/8	265 7/8	166 3/8	296 1/8	196 5/8	326 3/8	226 7/8	99 1/2	
123	536 1/4	123	239 3/8	138 3/8	270 1/8	169 1/8	300 7/8	199 7/8	331 5/8	230 5/8	101	
125	544 3/4	125	243 1/8	140 5/8	274 3/8	171 7/8	305 5/8	203 1/8	336 7/8	234 3/8	102 1/2	

Side Draw (in)			1.875		2.125		2.375		2.625		Stack Back Per Side SB	
Number of Ripples NR	Panel Width Per Side PW	No. of Carriers NR	Track Length 120% TL	Opening Width 120% OW	Track Length 100% TL	Opening Width 100% OW	Track Length 80% TL	Opening Width 80% OW	Track Length 60% TL	Opening Width 60% OW		
127	553 1/4	127	246 7/8	142 7/8	278 5/8	174 5/8	310 3/8	206 3/8	342 1/8	238 1/8		104
129	561 3/4	129	250 5/8	145 1/8	282 7/8	177 3/8	315 1/8	209 5/8	347 3/8	241 7/8		105 1/2
131	570 1/4	131	254 3/8	147 3/8	287 1/8	180 1/8	319 7/8	212 7/8	352 5/8	245 5/8	107	
133	578 3/4	133	258 1/8	149 5/8	291 3/8	182 7/8	324 5/8	216 1/8	357 7/8	249 3/8	108 1/2	
135	587 1/4	135	261 7/8	151 7/8	295 5/8	185 5/8	329 3/8	219 3/8	363 1/8	253 1/8	110	
137	595 3/4	137	265 5/8	154 1/8	299 7/8	188 3/8	334 1/8	222 5/8	368 3/8	256 7/8	111 1/2	
139	604 1/4	139	269 3/8	156 3/8	304 1/8	191 1/8	338 7/8	225 7/8	373 5/8	260 5/8	113	
141	612 3/4	141	273 1/8	158 5/8	308 3/8	193 7/8	343 5/8	229 1/8	378 7/8	264 3/8	114 1/2	
143	621 1/4	143	276 7/8	160 7/8	312 5/8	196 5/8	348 3/8	232 3/8	384 1/8	268 1/8	116	
145	629 3/4	145	280 5/8	163 1/8	316 7/8	199 3/8	353 1/8	235 5/8	389 3/8	271 7/8	117 1/2	
147	638 1/4	147	284 3/8	165 3/8	321 1/8	202 1/8	357 7/8	238 7/8	394 5/8	275 5/8	119	
149	646 3/4	149	288 1/8	167 5/8	325 3/8	204 7/8	362 5/8	242 1/8	399 7/8	279 3/8	120 1/2	
151	655 1/4	151	291 7/8	169 7/8	329 5/8	207 5/8	367 3/8	245 3/8	405 1/8	283 1/8	122	
153	663 3/4	153	295 5/8	172 1/8	333 7/8	210 3/8	372 1/8	248 5/8	410 3/8	286 7/8	123 1/2	
155	672 1/4	155	299 3/8	174 3/8	338 1/8	213 1/8	376 7/8	251 7/8	415 5/8	290 5/8	125	
157	680 3/4	157	303 1/8	176 5/8	342 3/8	215 7/8	381 5/8	255 1/8	420 7/8	294 3/8	126 1/2	
159	689 1/4	159	306 7/8	178 7/8	346 5/8	218 5/8	386 3/8	258 3/8	426 1/8	298 1/8	128	
161	697 3/4	161	310 5/8	181 1/8	350 7/8	221 3/8	391 1/8	261 5/8	431 3/8	301 7/8	129 1/2	
163	706 1/4	163	314 3/8	183 3/8	355 1/8	224 1/8	395 7/8	264 7/8	436 5/8	305 5/8	131	
165	714 3/4	165	318 1/8	185 5/8	359 3/8	226 7/8	400 5/8	268 1/8	441 7/8	309 3/8	132 1/2	



**CURRENT**

850-435-4994  
info@currentproductscorp.com

June 4, 2021